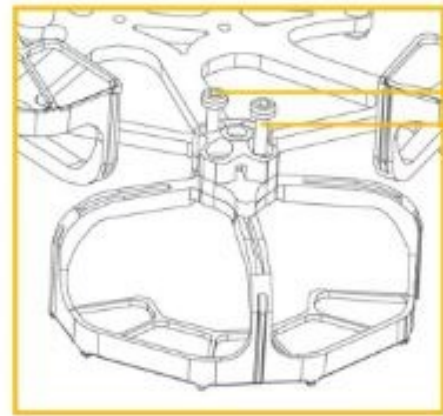
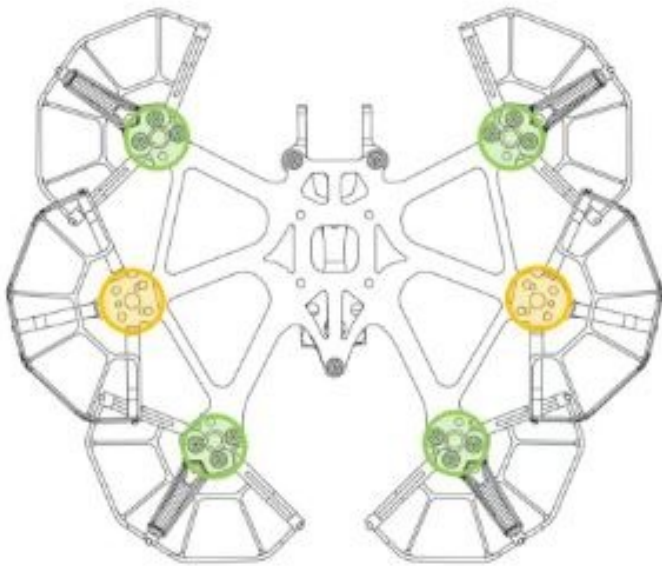


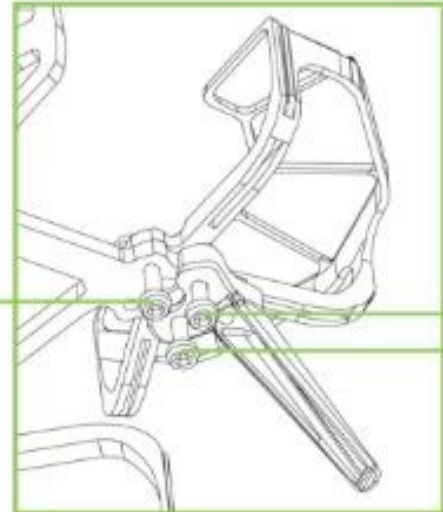
Flywoo Venom H2O Prop guard Installation Notes



M2*10
M2*10



M2*7



M2*8
M2*8

Warning:

Please use the correct screw, after installation, Make sure the screws do not touch the motor copper wires, otherwise the motor will be damaged.