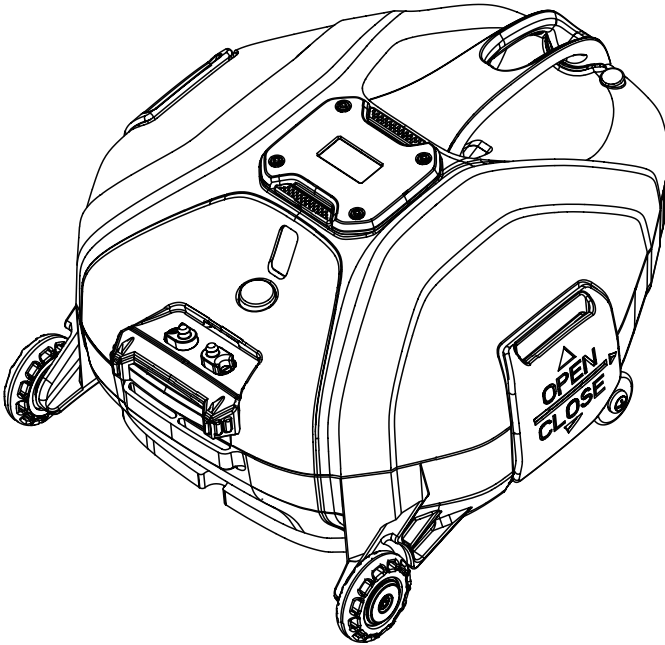




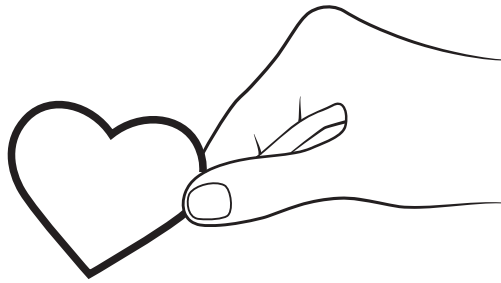
Ver:A03

User Manual

Applicable Model: JET 10



This manual contains important information which can help you in operation and maintenance of this robot cleaner. Please keep it properly for future reference.



\$1 from each cleaner you buy is donated to Africa.



-
- ◆ Thank you for choosing our top-quality pool robot cleaner JET10 Series manufactured by AQUA FYSH.
 - ◆ To achieve optimal performance, please read this user manual before usage.
 - ◆ Hope you enjoy this product! For any problems you encounter during its usage, please contact the local after-sales service center and turn to the professionals for help.
 - ◆ This manual is written by the manufacturer in English and can be translated into other languages to fulfill the local legal and commercial requirements. Since the product is constantly upgraded as needed, the information herein is for reference only, please kindly refer to real object, and we hereby reserve the right to renew the product.



Safety

Before using this product, please read this manual carefully and keep it properly for future reference. When using this product, please follow the rules listed below.

⚠ ATTENTIONS

- ◆ Please use this product according to the instructions listed in this manual, and use only the accessories recommended or provided by the manufacturer.
- ◆ This robotic cleaner is applicable for swimming pool cleaning only.
- ◆ Take the robot cleaner out of the pool after each use.
- ◆ Make sure the debris basket and filter are in place before using this product.
- ◆ Do not use the swimming pool while the cleaner is in operation.
- ◆ The charger must be placed at least 3 meters away from the edge of the swimming pool and kept dry and ventilated.
- ◆ Unplug the charger after charging.
- ◆ Operators must be equipped with the technical skills to prevent safety related risks during the product maintenance and repair.
- ◆ If not in use for a long time, it is recommended to charge this product once every 2 months with the charging time of no less than 4 hours to ensure its service life.
- ◆ Charge the robot cleaner only with the original charger.
- ◆ Please use this product according to the instructions listed in this manual, and we do not assume any liability or responsibility for any loss and harm caused by improper use.



Safety

⚠ ATTENTIONS

- ◆ Do not use if the robotic cleaner or charger if they become damaged in any way.
- ◆ Do not expose the robot cleaner to excessive temperatures. Exposure to temperatures above 265°F may cause damage or fire.
- ◆ Inspection and maintenance must be performed by qualified maintenance personnel and with only approved parts for replacement.
- ◆ Do not modify or attempt to repair the robot cleaner except as indicated in the instructions for operation and maintenance.
- ◆ Make sure the power voltage conforms to the related voltage marked on the charger.
- ◆ Follow the local laws and regulations when disposing of this product and its parts.
- ◆ Please keep the robot cleaner and its accessories out of the reach of kids. Children under the age of 8 or people with mental problems are prohibited to use this product, if needed, the product must be operated under the supervision and guidance of a guardian.
- ◆ Never remove the parts that are not specified in this manual. Removal of the parts may affect the normal operation of the robot cleaner.
- ◆ The robot cleaner must be kept dry during maintenance to avoid safety related risks.
- ◆ Put the charger socket out of the reach of children. Keep children away from the charger and the charging converter during charging. Do not operate the robot cleaner with wet hands or without shoes during charging.
- ◆ Never use or store the robot cleaner in any flammable and explosive environment.
- ◆ Please follow all charging instructions and do not charge the robotic cleaner in an environment beyond the temperature range specified in the instructions. Improper charging or charging at temperatures beyond the specified range may damage the battery and increase the risk of fires.



Safety

- ◆ Battery leakage may occur under harsh or extreme conditions. If any battery liquid gets on the skin, immediately flush with water. If it splashes into your eyes, immediately flush your contaminated eyes with moderate soda water and seek medical attention.
- ◆ Do not use any battery pack or robotic cleaner if they have been damaged or modified. Damaged or modified batteries may exhibit unpredictable behavior resulting in fire, explosion or risk of injury.
- ◆ Damaged or modified batteries may exhibit unpredictable behavior resulting in fire, explosion or risk of injury.
- ◆ Do not replace the battery by yourself.

The battery must be removed before the disposal of the robotic cleaner;

Disconnect the power while disassembling the battery;

The battery must be sent to a professional recycling facility for safe disposal.



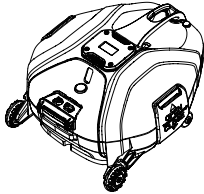
Contents

Product Composition.....	01
Product Introduction	03
Operation Instruction.....	05
Maintenance.....	13
Storage	17
Common Trouble Shooting	18
Battery Disassembly and Recycling	19
Product Recycling	20

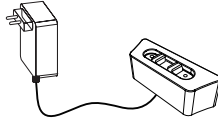


1. Product Composition

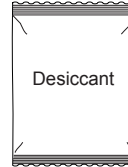
1.1 Package Components



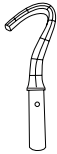
Robot Cleaner
X1



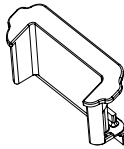
Charger
X1



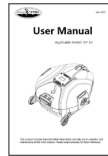
Desiccant X 1
(Take it out immediately after unpacking, and no contact with water)



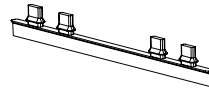
Hook
X1



Flat suction nozzle
X1

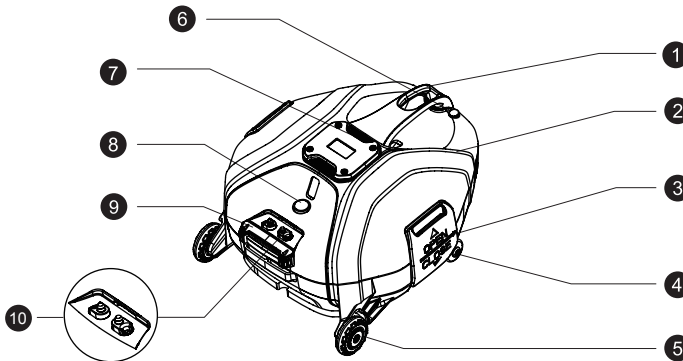


User Manual
X 1



Scrubbing Brush
X 1

1.2 Product Parts

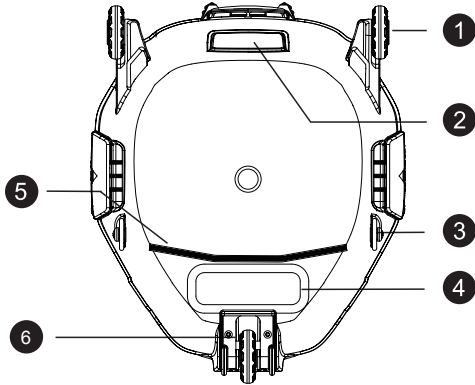


Main View

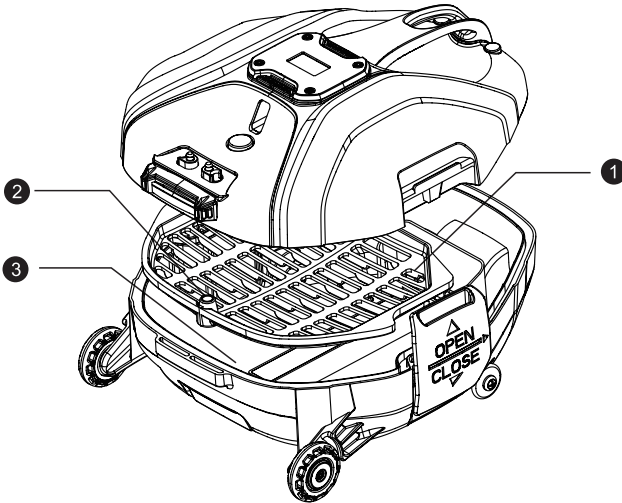
1	Handle	2	Top Cover	3	Buckle	4	Auxiliary Wheel	5	Front Wheel
6	Vent Valve 1	7	Vent Valve 2	8	Indicator Light	9	Crash Cushion	10	Charging Electrode

1. Product Composition

1	Front Wheel
2	Water Outlet
3	Auxiliary Wheel
4	Water Inlet
5	Scrubbing Brush
6	Rear Wheel (Steering Wheel)



Bottom View



Inside View

1	Filter Box	2	Sensor Switch	3	Debris Basket
---	------------	---	---------------	---	---------------



2. Product Introduction

2.1 Product Features

- ◆ High-performance built-in lithium ion battery, cordless, easy-to-use.
- ◆ Low voltage DC power supply, safe and reliable, free from risk of electric shock.
- ◆ High-efficiency built-in suction pump, no external pipe connection is required.
- ◆ This product will work automatically upon detection of water. **No manual start-up is required.**
- ◆ Upon detection of out-of-water, the water pump impeller and walking wheel will stop running to ensure the service safety.
- ◆ The robot cleaner will shut down automatically within 10 seconds after being removed from the water. There is no manual shutdown required.
- ◆ Automatic steering when encountering obstacles during operation. Intelligent in planning cleaning paths.



2. Product Introduction

2.2 Technical Parameters

Model NO.	JET 10
Rechargeable Li-ion Battery	11.1V 2600mAh 28.86Wh
Max. Cleaning Area	40m ² (430 sq.ft)
Max. Cleaning Cycle	70-90min (25°C ambient temperature)
Charging Time	5-7h
Charging Power	6.75W
Charging Method	Contact Type
Water Pump Motor Type	Brushed motor
Max. Filter Precision	50µm
Self-diagnosis Function	Yes
Diving Auto Start	Yes
Applicable Pool Type	In-ground or Above-ground Concrete Pool, Liner Pool
Max. Pool Depth	6m (19.7ft)
Max. Running Speed	12m/min (39.4 ft/min)
Pool Bottom Cleaning	Yes
Pool Wall Cleaning	No
Debris Basket Capacity	4L (1.06us gal)
Waterproof Level	IPX8
Appliance Working Temperature	5°C-35°C (41°F-95°F)
Battery Operating Temperature	5°C-45°C (41°F-113°F)
Product Dimension	30x29.5x16.5cm (11.8x11.6x6.5in)
Packing Size	37x33.2x25cm (14.5x13x9.8in)
Net Weight	3.2Kgs (7.1lbs)
Gross Weight	5Kgs (11lbs)



3. Operation Instructions

3.1 ⚠ CAUTIONS

- ◆ Remove leaves or fabrics that may block the water inlet from the pool bottom before usage.
- ◆ Make sure the filter is properly assembled inside the cleaner before usage.
- ◆ Shelter the area under the swimming pool handrail or other long & narrow areas in advance, so as to prevent the cleaner from getting stuck.
- ◆ Make sure there are no ropes or other objects that may cause product winding at the bottom of the pool.
- ◆ Do not use the swimming pool when the robot cleaner is in operation. Do not step or place weight on the robot cleaner.
- ◆ The battery must be charged for at least 5 hours prior to its initial use.
- ◆ Remove the desiccant from the debris basket immediately after unpacking for the first time, and dispose it properly. No immersing in water! DO NOT SWALLOW!

3.2 Battery Percent and Status Inspection

Before use, gently lift the handle of the robotic cleaner to make it tilt (When the product is in low-power mode, this operation can wake it up and lead it into standby mode):

- ◆ If the indicator light shows nothing, it means the product is out of power and needs to be charged before use.
- ◆ If the indicator light turns on, please confirm the status of the product according to the table below to ensure that the product is in a normal status of sufficient power before use. After lasting for 5 seconds, the indicator light will be automatically off, and then the robot cleaner will return to its "Standby" status.

3. Operation Instructions

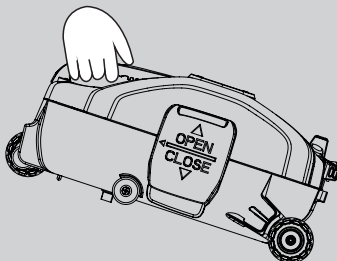
Indicator Light Description

Status	Indicator Light		Description
	Red	Blue	
Lock	●	●	Automatically shut down at the end of a single operation. Operation locked, the red and blue indicator lights are flashing alternately, no operation available under this status. Unlock after charging.
Battery Low	●	○	Low battery, red indicator is flashing, it must be used after charging.
Power available for operation	○	●	The battery still has energy storage, the blue indicator is normally on and the appliance can be used.

● ON

○ OFF

● Flashing

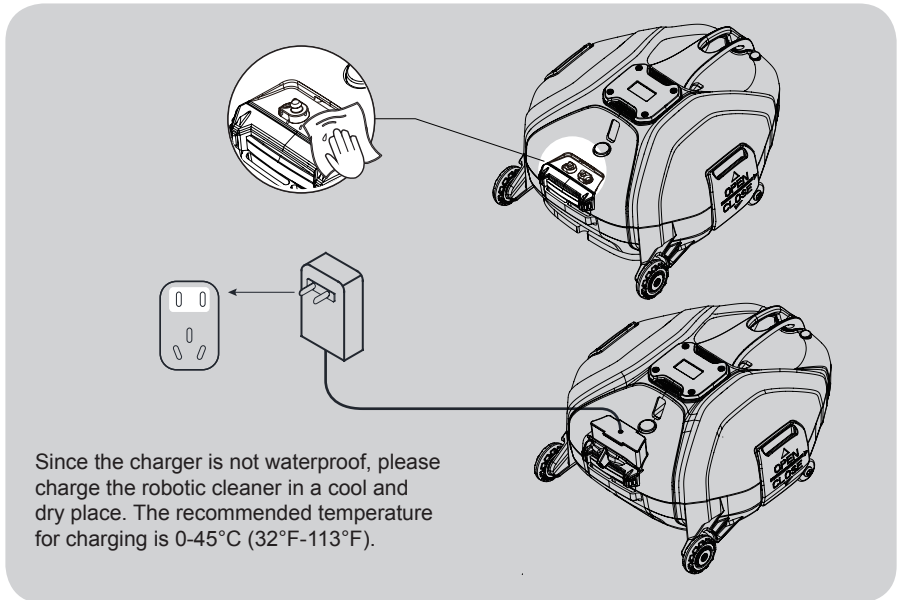


Gently lift the handle to raise the robotic cleaner at a certain angle (greater than 30°)

3. Operation Instructions

3.3 Charging

3.3.1 Please make sure the charging port is dry before connecting the charger with the robotic cleaner according to the figure below.



3.3.2 When charging begins, blue light will flash. Once fully charged, the blue lights will remain on.

Indicator Lights of the Robot Cleaner	The Status of Indicator Light	Battery Status
Battery Low	●	Charging
Power available for operation	●	Charging complete

● ON

○ OFF

◐ Flashing

3. Operation Instructions

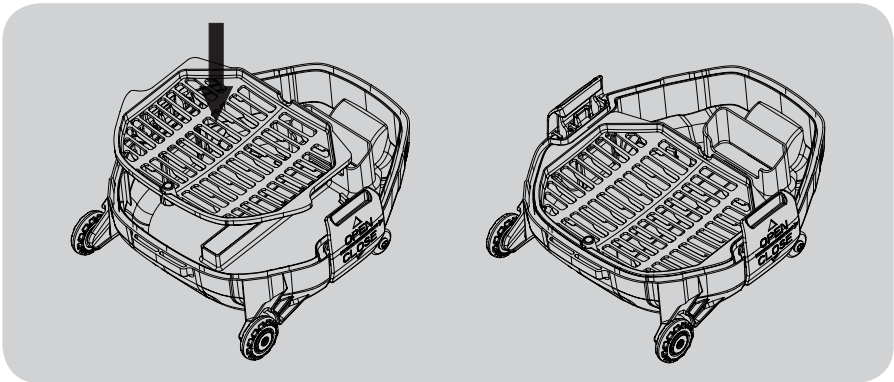
⚠ CAUTIONS

- ◆ After charging, disconnect the power supply and place the product horizontally for two hours, and the product will enter the low-power mode automatically.
- ◆ It takes around 5-7 hours to fully charge the robotic cleaner after running out of the battery.
- ◆ The charger must be placed at least 3m away from the edges of the pool, and kept ventilated and dry.
- ◆ Switch off the charger immediately after finishing the charging.

3.4 Preparation Work

After verifying the status and the battery of the product, you can follow these steps

3.4.1 Debris filter placement



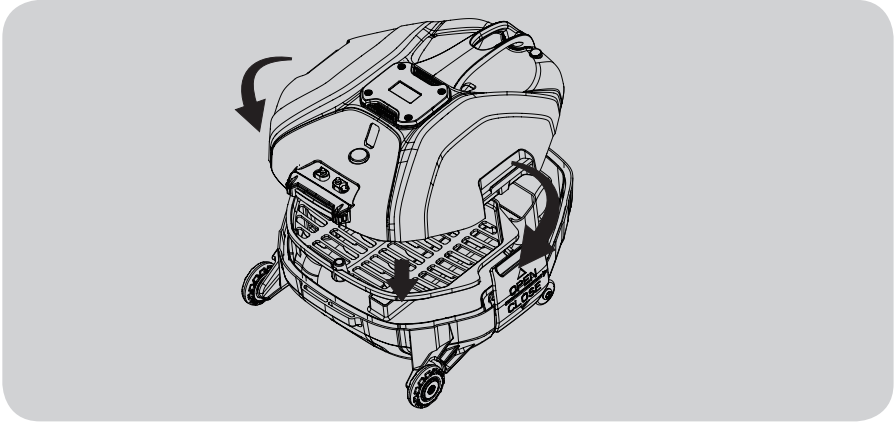
⚠ ATTENTIONS

Do not use the robotic cleaner if the filter is not installed. Otherwise, foreign bodies may jam the impeller components and cause damages.

3. Operation Instructions

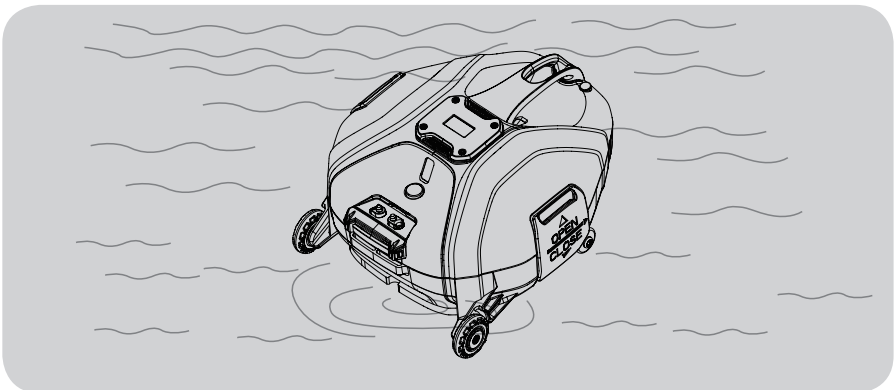
3.4.2 Top Cover Locking

Close the top cover, fasten the left and right buckles downward, and lock.



3.5 Normal Operation

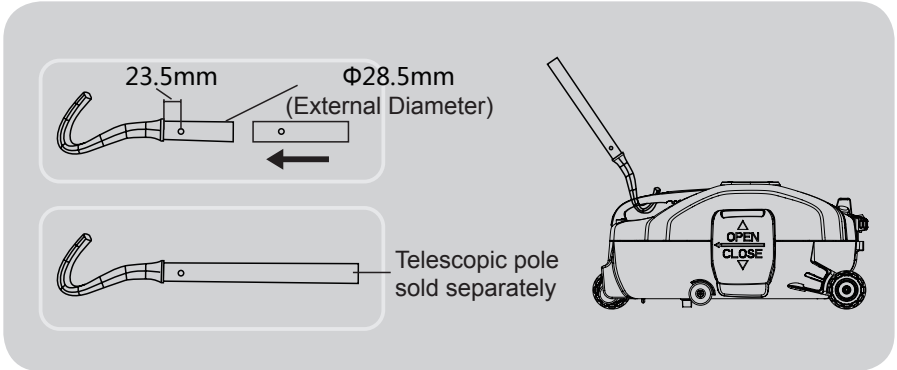
- ◆ Drop the robotic cleaner into the water, fill water properly to speed up the sinking and let it sink smoothly to the bottom of the pool, then it will start working automatically with the blue light on.
- ◆ Auto-steering when runs into obstacles or hits the edges.



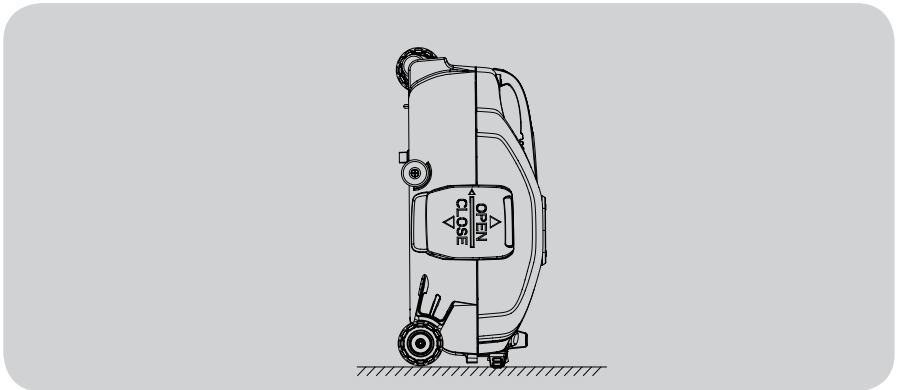
3. Operation Instructions

3.6 Taking Out the robotic cleaner

3.6.1 Upon completion of the cleaning work, the robot cleaner should be taken out of the pool by using a long pole equipped with a hook.



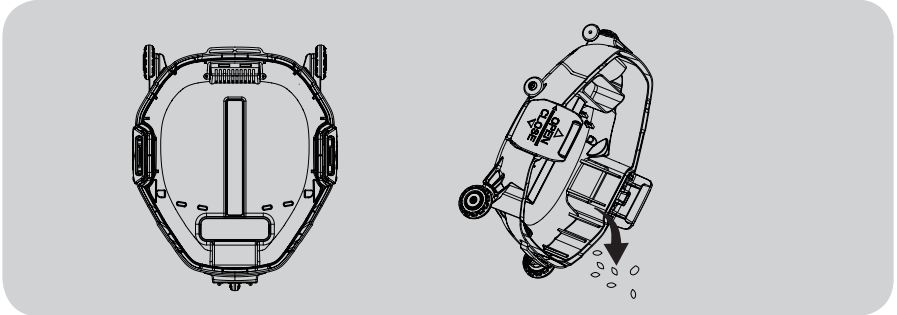
3.6.2 After taking the robot cleaner out of the pool let it stand vertically on the ground for several minutes to let remaining water drain out of the cleaner.



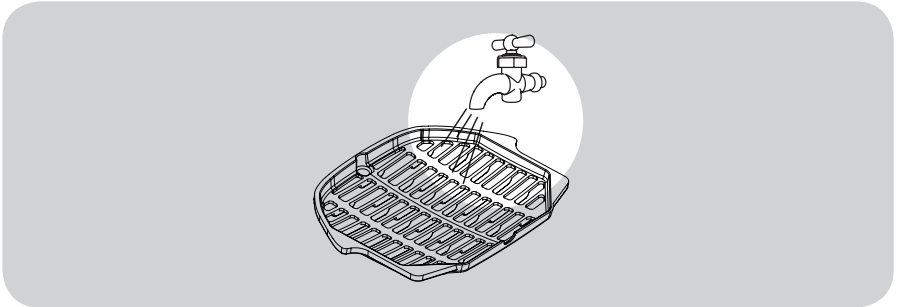
3. Operation Instructions

3.7 Product Cleaning After Use

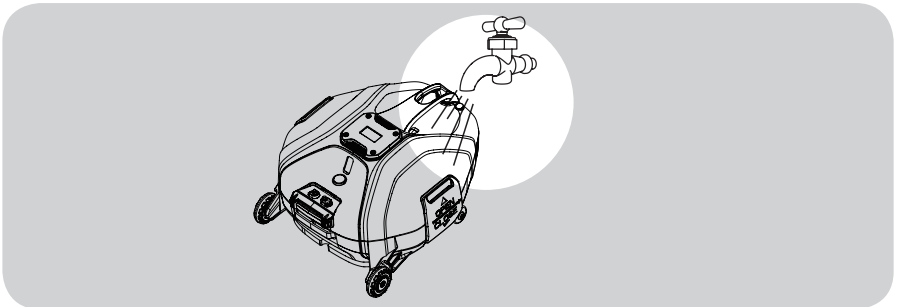
3.7.1 Open the top cover, remove the filter, take out the debris basket and empty it.



3.7.2 Clean the filter and replace it into the robotic cleaner.



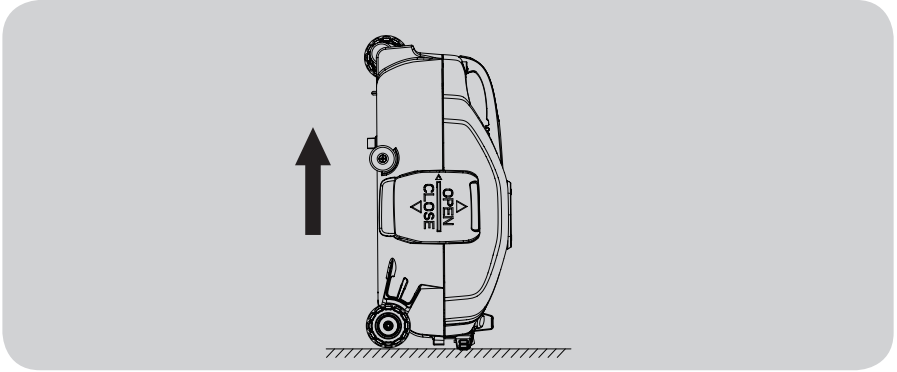
3.7.3 If the robotic cleaner becomes dirty, it can be rinsed with clean water.



3. Operation Instructions

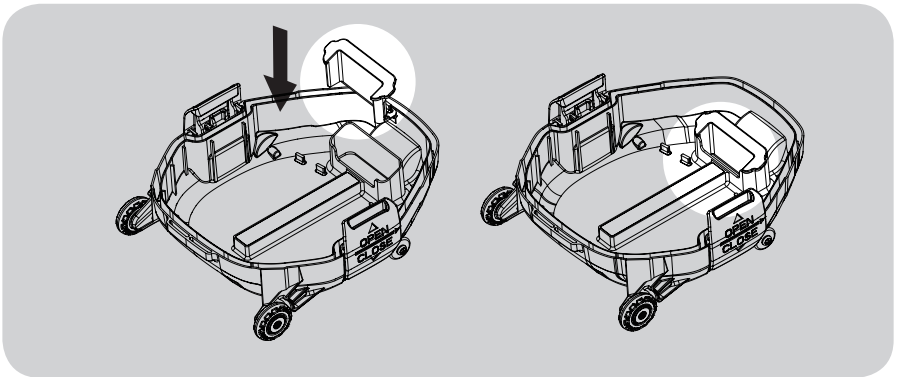
3.8 Forced Shutdown

If the robotic cleaner cannot stop automatically after taken out of water, hold it vertically for 15 seconds as shown, the robotic cleaner will enter a forced shut down.



3.9 Flat Suction Nozzle Fitting Installation

Insert the flat nozzle from the water inlet of the debris basket as shown in the figure to complete the installation. The flat nozzle has a stronger suction on small particle debris. If there are more small particle debris in the pool, it can be installed on demand.



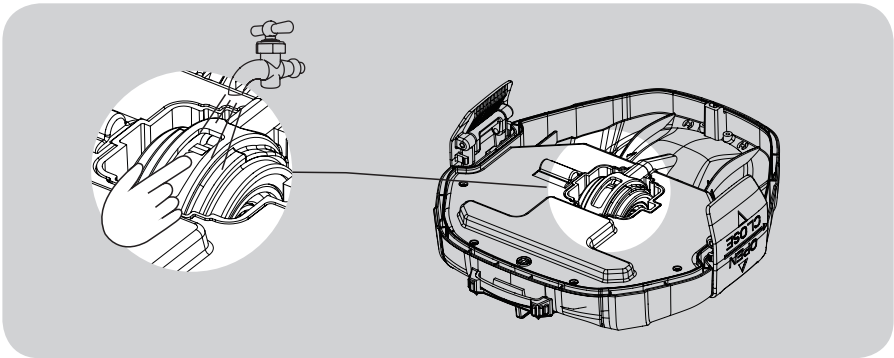
4. Maintenance

⚠ ATTENTIONS

The cleaner must be kept shutdown during maintenance to prevent the safety risk caused by unexpected start-up of the robotic cleaner!

4.1 Water pump steering gear cleaning (Steering gear stuck can be repaired according to this operation)

Push the orange part under the steering gear back and forth with your fingers and rinse it under water until the steering gear can be easily pushed. If there is still a stuck, please repair it further according to 4.2.



4.2 Internal impeller assembly cleaning (This operation is more complicated, if necessary, please watch the official video explanation)

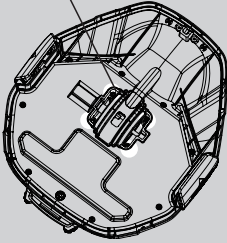
⚠ ATTENTION

This operation is only applicable to the impeller assembly stuck due to improper operation or other conditions, please read the relevant instructions and watch the official video carefully when operating, and maintenance & repair operations can only be carried out after full understanding.

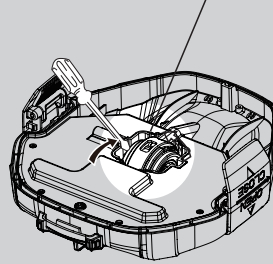
4. Maintenance

4.2.1 Remove the impeller assembly as shown in the figure, and be careful not to lose the relevant accessories.

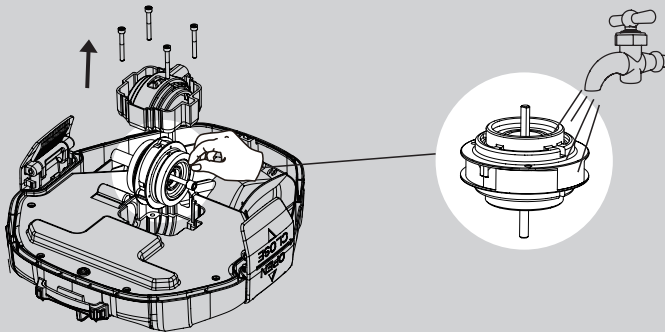
Remove the 4 screws
with a cross screwdriver



Raise the center impeller
assembly with a straight

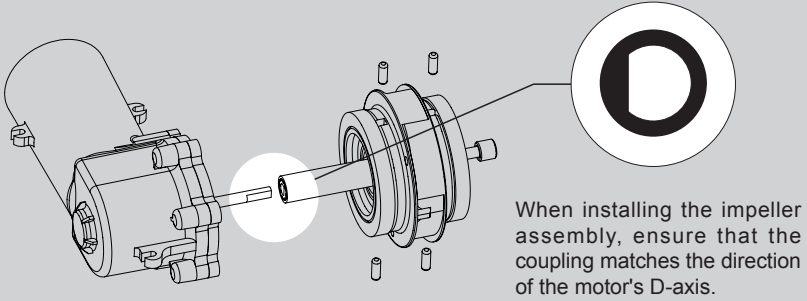


4.2.2 Remove the impeller assembly, carefully clean the inside and outside of the impeller.



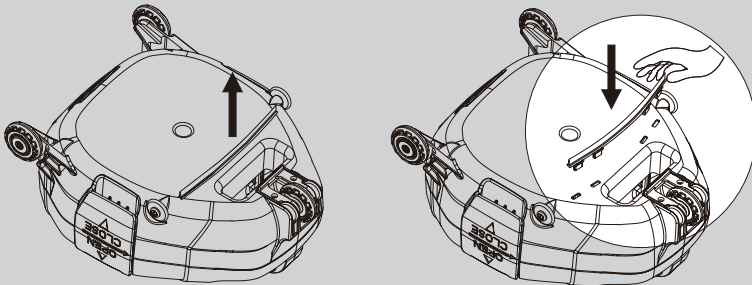
4.2.3 Install impeller assembly as shown in Figure 4.1 Make sure the fittings are fully installed (positioning pin, shaft sleeve).

4. Maintenance

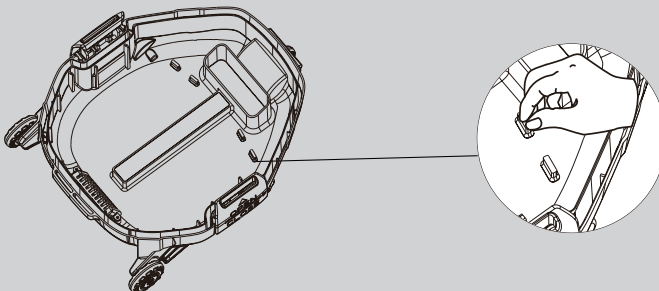


4.3 Replacement of Scrubbing Brush

4.3.1 Take out the old brush strips, replace with new scrubbing brush.



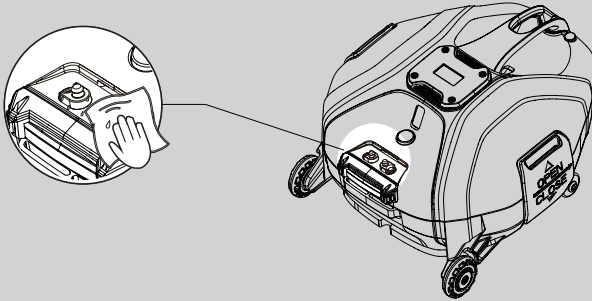
4.3.2 Tighten the fastener from the inside of the bottom case to assemble the scrubbing brush in place.



4. Maintenance

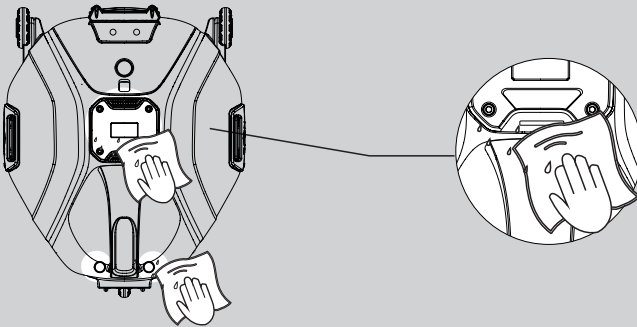
4.4 Charging Port Cleaning

4.4.1 Use a dry and clean cloth to clean the charging port area.



4.5 Air Vent Valve Cleaning

4.5.1 Use a dry and clean cloth to clean the air vent area.





5. Storage

- ◆ After using the robot cleaner, please take it out of water, clean and dry it in the air. Store it in a dry, cool place with the temperature within the range of 5°C-35°C (41°F-95°F).
- ◆ Do not knock, prick, stomp, modify the robotic cleaner, or expose it to the sun. Do not place the cleaner in environments such as microwave, high voltage, etc.
- ◆ To avoid irreversible capacity loss, the robot cleaner should be kept with a battery percent of 50%~80% and be charged once every 2 months if not in use for a long time.

6. Common Trouble Shooting

No.	Faults	Possible Reasons	Solutions
01	Unable to Charge	Foreign objects on the charging electrode	Sanding
02		Charger damaged	Call After-sales Service
03		Others	Call After-sales Service
04	Can not work after being immersed into water	The battery is dead	Charging
05		Air vent blocked, the cleaner can not be totally immersed into water	Clean the air vent, fill the water manually
06		Others	Call After-sales Service
07	Moving abnormality	The walking wheel is winded by hair or other fabrics	Remove the objects winded on the walking wheel
08		Others	Call After-sales Service
09	Suction ability weakened	Foreign objects on the impeller	Clean the impeller
10		Impeller damages	Replace the impeller
11		Too much dirt on the filter	Clean the filter

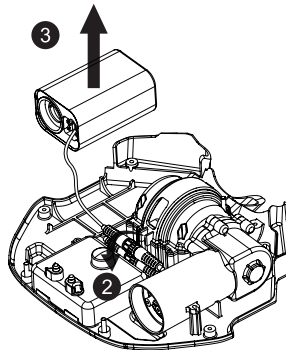
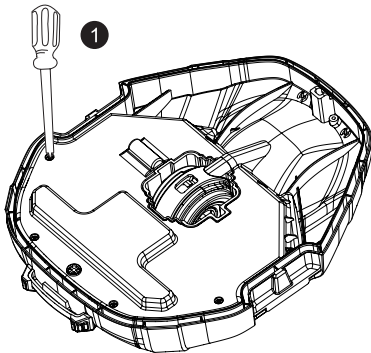
7. Battery Disassembly and Recycling

7.1 ⚠ CAUTIONS

- ◆ This robotic cleaner contains a non-replaceable battery
- ◆ The battery must be removed from the robotic cleaner before being scrapped.
- ◆ When removing the battery, disconnect the robotic cleaner from the power supply.
- ◆ The battery should be disposed of safely and sent to a professional recycling facility.

7.2 Battery disassembly steps

- 1 Remove the 8 screws on the center plate with a cross screwdriver, dismantle the top cover.
- 2 Unscrew the power cord connector and disconnect the power cord.
- 3 Remove the battery module and send it to a professional recycling facility.



8. Product Recycling

- ◆ The product is classified into WEEE, so it cannot be disposed as household waste, mixture waste or single waste when reaching the end of its service life.
- ◆ The robot cleaner must be disposed in accordance with the local requirements, especially the electronic parts and components, which must be individually disposed by the special recycling center that is authorized to collect electronic wastes, or returned to the retailer in good condition when purchasing new products. Illegal disposal of WEEE will be fined according to the current laws of the local country.
- ◆ The hazardous substances in the electronic appliance pose a potential danger to the environment and human health, therefore the user plays an important role in recycling, please recycle the electronic wastes properly.
- ◆ The product package is made from recycling materials, which must be disposed in a sustainable way through the recognized recycling bins or specially authorized recycling center.
- ◆ Used battery contains hazardous substances to the environment and human health, thus it cannot be disposed as common household wastes.

