

TheSpace

Neovide | An All-in-One Sous Vide Cooker

User Manual



Model: NSV100

Select your language

User Manual	3
Manual de uso	29
Mode d'emploi	56
Bedienungsanleitung	85
Manuale dell'utente	113

User Manual

Contents

Important Safeguards	5
Specs	6
Know Your Neovide.....	7
Control Panel	8
Cooking Guidelines.....	10
Use Your Neovide.....	11
Food probe	11
Drip tray	12
Before using	12
NeoVide mode	12
Manual mode	14
Marinate mode.....	15
Marinate NeoVide mode.....	16
Mild Sear mode.....	17
Connect to the App.....	18
How to connect to Wi-Fi	18
How to use the app	20
Care and Cleaning	23
Troubleshooting	24
COMPLIANCE	27
WARRANTY INFORMATION	28

Important Safeguards

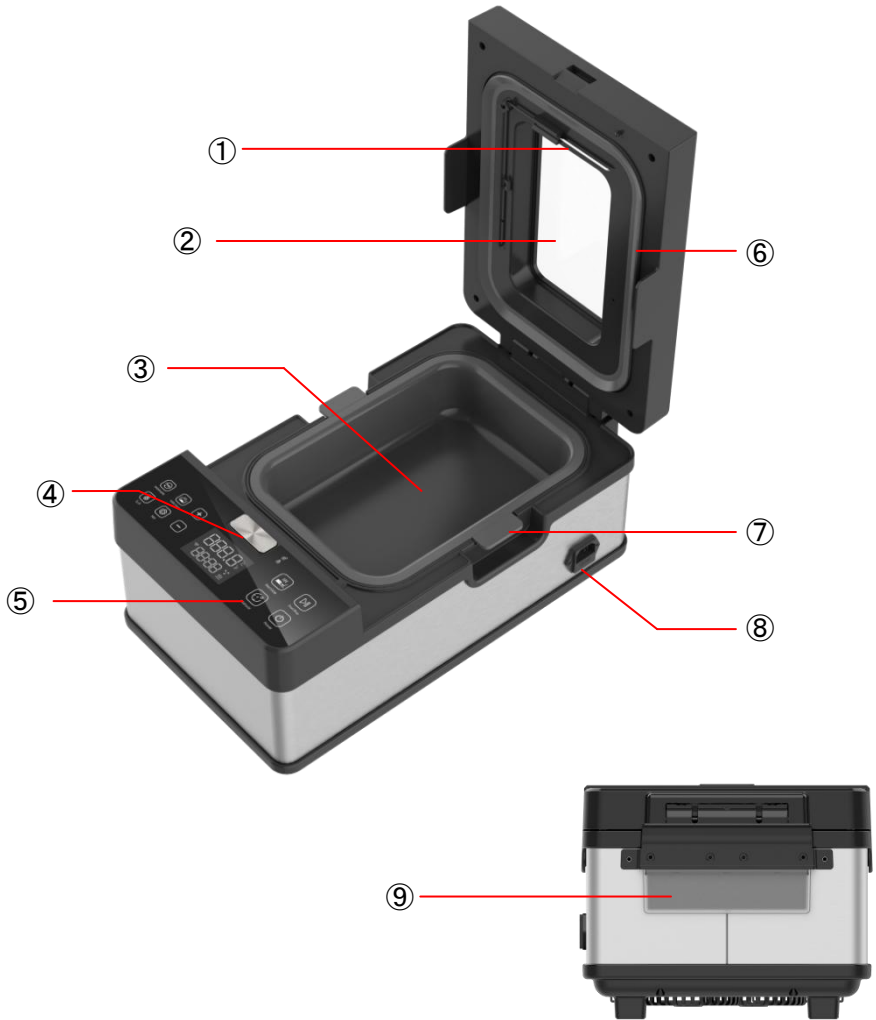
When using this product, please always follow the instructions:

- Read the user manual before using the product.
- Connect only to the specified power indicated on the product tag.
- Use the product on a dry, steady, and firm work surface.
- Plug the product into an indoor grounded outlet with a circuit breaker.
- Keep the cord and plug dry to protect against electric shock.
- Disconnect the power before moving or cleaning the product, or when it is not in use.
- To disconnect, remove the cord by grasping and pulling out the plug. Never unplug by pulling on the cord.
- Do not operate the product if the cord or plug is damaged.
- Do not use multi-plug adapters and extension cords.
- Do not touch hot parts such as the lid, the chamber, and the probe when the product is operating or before it cools down.
- Do not touch the tip of the food probe to avoid injury.
- Do not submerge the probe in water when cleaning the machine to avoid damaging it.
- Do not place any other objects, especially metal ones, in the chamber where the inner tray is placed.
- Keep the product out of reach of children and away from persons with reduced physical, sensory, or mental capabilities.
- If the product malfunctions or has been damaged, do not use it again. Consult professional personnel for inspection or maintenance.
- This product is only intended for its set purposes.

Specs

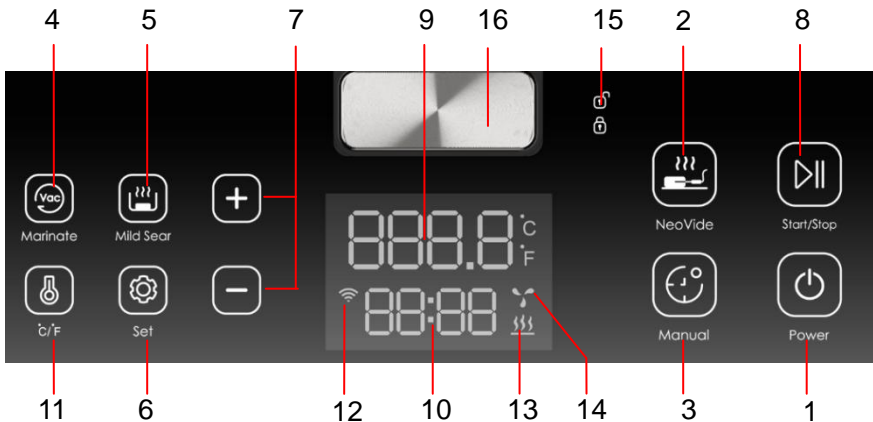
Model	NSV100		
Power supply	US 110-120 V, 60 Hz	EU 220-240 V, 50 Hz	JP 100V, 50/60Hz
Power	700W	650W	620W
Vacuum pump pressure	-21"Hg±10%/ -711mbar±10%		
Flow rate	6L/min±15%		
Tray Capacity	3L		
Body dimensions	18.4" x 10.4" x 8.2" (467mm x 263mm x 208mm)		
Tray dimensions	10.2" x 7.1" x 2.6" (260mm x 180mm x 65mm)		
Temperature range (NeoVide/Manual mode)	68-203°F (20-95°C)		
Timer (Manual mode)	00:05-99:59		
Temperature range (Mild Sear mode)	302-410°F (150-210°C)		
Timer (Mild Sear mode)	0:01-00:30		
Timer (Marinate mode)	0:05-00:50 (1-10 cycles, every 5min is a cycle)		
Weight	17.9lb (8.1kg)		
Working conditions	Temperature: 41-95°F (5-35°C), Humidity: ≤85%		
Connectivity	Wi-Fi 802.11 b/g/n 2.4 GHz Bluetooth 5.0		
Apps	iOS / Android		

Know Your Neovide



- ① Food probe ② Lid ③ Inner tray ④ Lid button ⑤ Control panel
⑥ Gasket ⑦ Tray handle ⑧ Power port ⑨ Drip tray

Control Panel



No.	Button/Indicator	Description
1	Power	<ul style="list-style-type: none"> - Plug into the electrical outlet, and the device is in power saving mode, with only the power button slightly bright. - Press the "Power" button to enter standby status, in which the "NeoVide" button lights up, and other buttons are slightly lit. - In standby status or during operation, press the "Power" button to return to power saving mode.
2	NeoVide	<ul style="list-style-type: none"> - Press the button to select NeoVide mode. The icon will light up. - Insert the probe into the food core while in this mode. The display will show the food's internal temperature.
3	Manual	<ul style="list-style-type: none"> - Press the button to select Manual mode. The icon will light up. - In this mode, you can manually set the time and temperature, and do not need to use the probe.
4	Marinate	Press the button to select Marinate mode. The icon will light up.
5	Mild Sear	Press the button to select Mild Sear mode. The icon will light up.

6	Set	<p>Settings: After selecting the target mode, you can set the temperature or time by pressing the "Set" button. When the number on the display flashes, tap or long press the "+" or "-" to adjust temperature and time.</p> <p>View settings: During operation, press and hold the "Set" button for about 3 seconds, and you can check the time and temperature settings.</p> <p>If there is no operation in the setting mode, the number on the display will flash 10 times before the device automatically exits the settings.</p>
7	+/-	When the number on the display flashes, tap or long press "+" or "-" to adjust temperature and time.
8	Start/Stop	Press the button to start the machine in the selected mode.
9	Temperature display	Displays the current temperature or the set temperature.
10	Time display	Displays the operating time or the set time.
11	°C/°F	In standby status, press the "°C/°F" button to switch temperature units.
12	Wi-Fi indicator	The Wi-Fi indicator lights up when the device is connected to the mobile app.
13	Heating indicator	When this indicator is on, it means the device is heating up.
14	Vacuum pump indicator	When this indicator is on, it means the device is vacuuming.
15	Lock/Unlock	<p>When the "unlock" indicator lights up, the lid can be opened.</p> <p>When the "lock" indicator lights up, it means that the machine is working, and the lid is not allowed to open. If you want to open the lid, you need to stop the machine, and open it when the "unlock" icon lights up.</p>
16	Lid button	Press the lid button to open the lid.
17	Restore factory settings	Under the standby status, long press the "Mild Sear" button and "Manual" button simultaneously for 3 seconds. When you hear a "beep" sound, the machine switches to NeoVide mode (the displayed temperature is 60°C and the timer is 24:00), then you can release the buttons. The machine is then under factory settings.

Cooking Guidelines

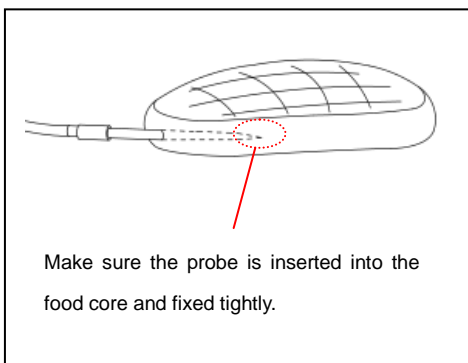
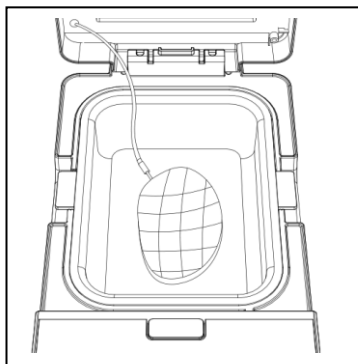
1. For regular-shaped foods (i.e., sliced or chunked foods such as steak, pork chops, chicken breast, salmon, etc.), it is recommended to use the NeoVide mode (using the probe). Placing the food on the bottom, and insert the food probe firmly into the food center.
2. For foods that may not be easy to insert the probe, it is recommended to use the Manual mode. In this mode, you can set the time and temperature like traditional sous vide, but using water and bags is optional, providing more flexibility in your cooking.
3. When cooking vegetables, please set the appropriate time and temperature. Just like traditional sous vide, some vegetables can release gas and spoil if cooked under vacuum for too long.

Use Your Neovide

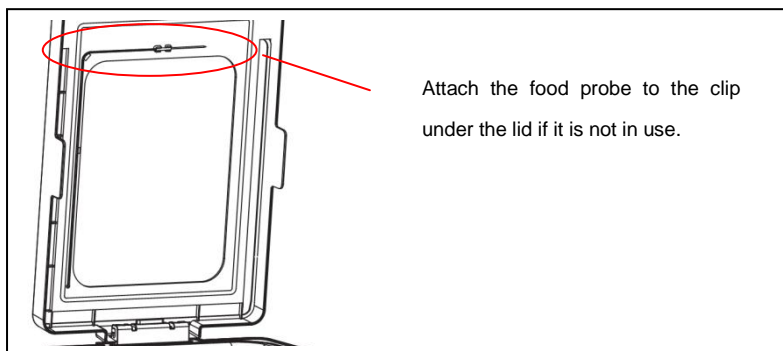
Food probe

- In NeoVide mode, the food probe must be inserted into the food center.

Note: The tip of the food probe (10mm) is the temperature sensor. When using the probe, make sure this portion is inserted into the food core. It is recommended to insert the probe from the side of the food and into its core to ensure a firm insertion. When it is not convenient to do so, you can also insert it from the food surface, but also make sure the probe is inserted to the core and fixed tightly. Otherwise, the detected temperature may be inaccurate.

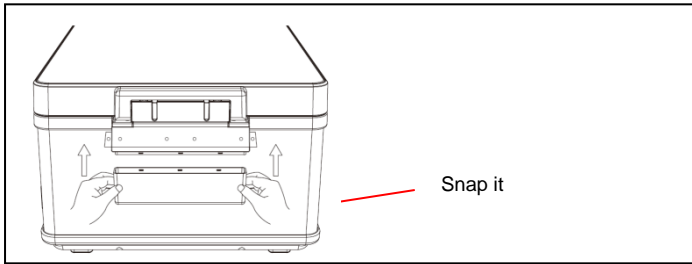


- Attach the food probe to the clip under the lid if it is not in use.



Drip tray

The drip tray is set at the back of the machine for storing the liquid generated in the cooking process.



Before using

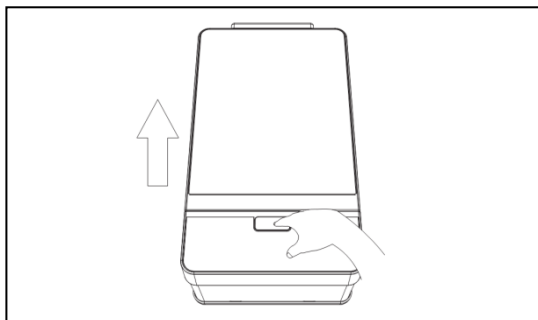
- Plug into the electrical outlet, and the device is in power-saving mode, with only the power button slightly lit.
- Press the "Power" button to enter standby status, in which the "NeoVide" button lights up and other buttons are slightly lit.
- Press the "°C/°F" button to switch temperature units. The device will remember your selection and use the unit by default next time.

NeoVide mode

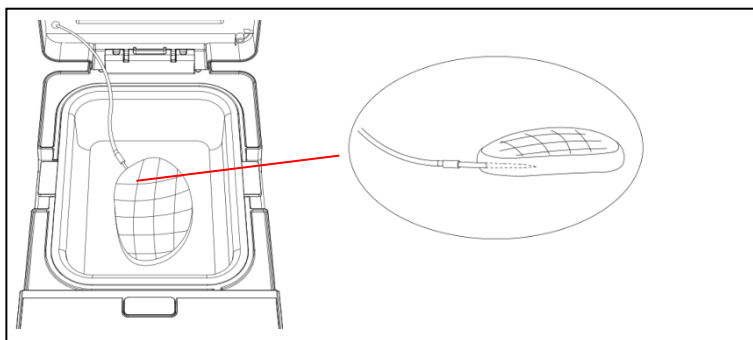
In NeoVide mode, the probe monitors and controls the temperature of the food core accurately, achieving truly precise sous vide cooking. To use this mode, simply set the target temperature, without needing to consider the time setting. You can experiment with different temperature settings to create your own unique dishes that suit your taste preferences.

(NeoVide mode is on when the "NeoVide" icon is lit.)

1. Press the "NeoVide" button to enter NeoVide mode. In this mode, the probe is used and the food temperature is displayed.
2. Press the "Set" button, and adjust the temperature with "+" and "-".
3. Press the lid button to open the lid.



4. Place the food in the tray, take the probe off the lid and insert it into the food. Make sure the probe is inserted into the food core and fixed tightly.



5. Close the lid and press the "Start/Stop" button, and the machine will start vacuuming and heating.
6. When reaching the set temperature, the machine will beep and automatically enter "keep-warm" mode. In this mode, the upper display shows "Hold", the lower display shows the holding time. Press the "Start/Stop" button to end the work.

Note: During the first five minutes of this mode, the machine will beep three times at one-minute interval.

7. When the set program is completed, the "Unlock" indicator is on and the lid can be opened at any time.

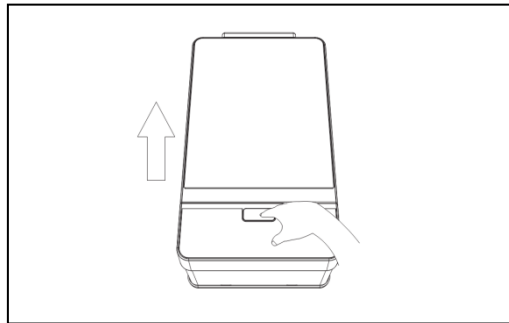
Note: The lid can only be opened when the "Unlock" icon is on. During operation, the "Lock" icon is on, and it is not allowed to open the lid. If you want to open the lid, press the "Start/Stop" button to stop the work.

Manual mode

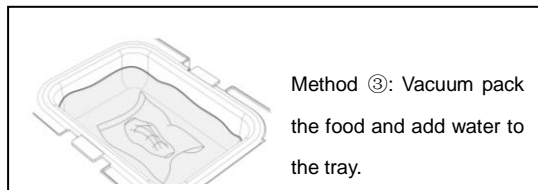
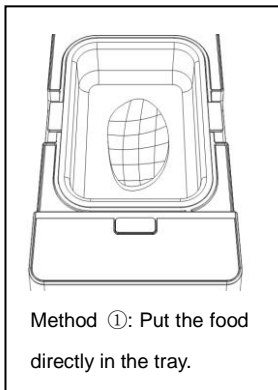
For foods that are not suitable to be inserted with the probe, such as soups, eggs, irregularly shaped vegetables, you can use Manual mode. In this mode, you can set the time and temperature like traditional sous vide, but using water and bags is optional, providing more flexibility in your cooking.

(Manual mode is on when the "Manual" icon is lit.)

1. Press the " Manual" button.
2. Press the "Set" button to switch to settings and adjust temperature and time with "+" and "-" when the corresponding number flashes.
3. Press the lid button to open the lid.



4. Choose the suitable cooking method for the food.



Note: When using the above methods, please fix the food probe in its clip, and do not immerse it in water to avoid damage.

5. Close the lid and press the "Start/Stop" button to start the task.

6. When reaching the set temperature, the machine emits a "beep" sound and enters the countdown.

Note: If you want to enter the countdown before reaching the set temperature, press the "Start/Stop" button again, and the machine will enter the countdown.

7. When the countdown ends, the machine will beep and automatically enter "keep-warm" mode.

Note: During the first five minutes of the keep-warm mode, the machine will beep three times at one-minute interval.

8. When the task is completed, the "Unlock" indicator is on and the lid can be opened at any time.

Note: The lid can only be opened when the "Unlock" indicator is on. During operation, the "Lock" indicator is on, and it is not allowed to open the lid. If you want to open the lid, press the "Start/Stop" button to stop the work.

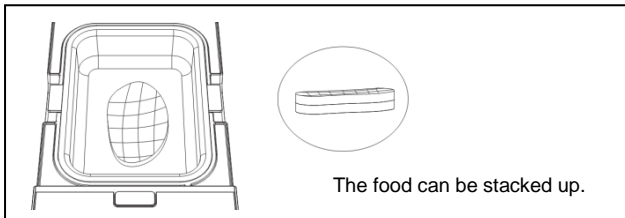
Marinate mode

(Marinate mode is on when the "Marinate" icon is lit.)

1. Press the "Marinate" button, and the machine will enter Marinate mode.

2. Press the "Set" button, and adjust the time with "+" and "-".

3. Press the lid button to open the lid, and place the food in the tray. The food can be stacked up.



4. Close the lid and press the "Start/Stop" button, and the machine will start marinating.

5. When the marinating time counts down to 0, the machine makes three beeps.

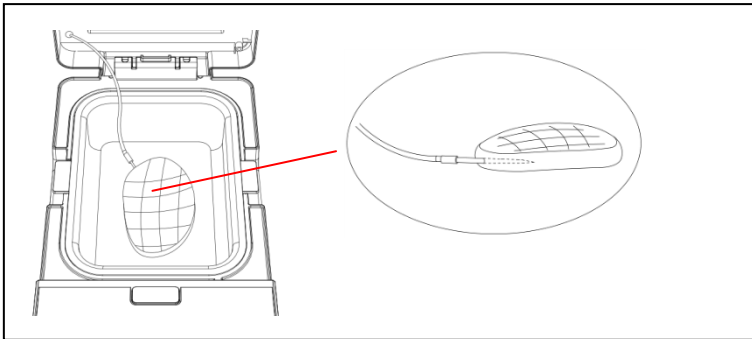
6. When the task is done, the "Unlock" icon lights up, and you can press the lid button to open the lid and take out the food.

Note: The lid can only be opened when the "Unlock" icon is on. During operation, the "Lock" icon is on, and it is not allowed to open the lid. If you want to open the lid, press the "Start/Stop" button to stop the work.

Marinate NeoVide mode

(Marinate NeoVide mode is on when the "Marinate" and "NeoVide" icons are lit.)

1. Press "Marinate" and "NeoVide" buttons, and the machine will enter Marinate NeoVide mode. In this mode, the machine first starts marinating, then sous vide with the probe being used.
2. Press the "Set" button to switch to settings, and adjust the time for marinating and the temperature for sous vide with "+" and "-" when the corresponding number flashes.
3. Press the lid button to open the lid, and place the food in the tray.
4. Take the probe off the lid and insert it into the food. Make sure the probe is inserted into the food core and fixed tightly.



5. Close the lid, press the "Start/Stop" button, and the machine will first start the Marinate mode and then the NeoVide mode.
6. When reaching the set temperature, the machine will beep and automatically enter "keep-warm" mode. In this mode, the upper display shows "Hold", the lower display shows the holding time. Press the "Start/Stop" button to end the work.

Note: During the first five minutes of the keep-warm mode, the machine will beep three times at one-minute interval.

7. When the task is completed, the "Unlock" icon is on and the lid can be opened at any time.

Note: The lid can only be opened when the "Unlock" icon is on. During operation, the "Lock" icon is on, and it is not allowed to open the lid. If you want to open the lid, press the "Start/Stop" button to stop the work.

Mild Sear mode

(Mild Sear mode is on when the "Mild Sear" icon is lit.)

1. Open the lid.
2. Press the "Mild Sear" button to enter Mild Sear mode.
3. Press the "Set" button and adjust the time and temperature by tapping or long pressing "+" and "-" when the corresponding number flashes.
4. Press the "Start/Stop" button to start heating.

Note: If "Clos" is displayed after pressing "Start/Stop", it means that the lid is closed and you need to open the lid to start.

5. Make sure the tray is dry before adding cooking oil.
6. When reaching the set temperature, the machine will beep and start counting down. At this time, you can put the food in the tray and start searing. In the process, you can flip the food at the appropriate time.

Note: If you want to start searing before the set temperature is reached, press the "Start/Stop" button and the machine will start counting down, and then you can put the food in.

7. When the countdown is over, the machine makes three "beeps", and the task is done.

Note: If the countdown is not over, press the "Start/Stop" button, and the machine will stop working.

Connect to the App

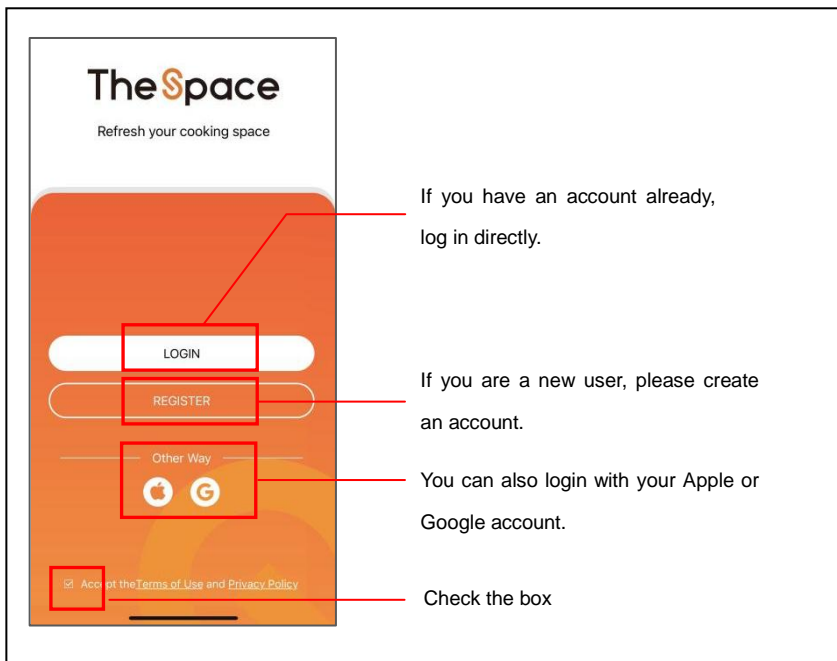
How to connect to Wi-Fi

1. Download "The Space" app:



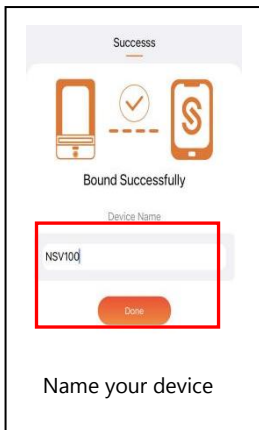
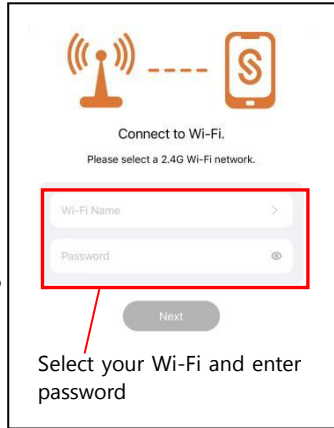
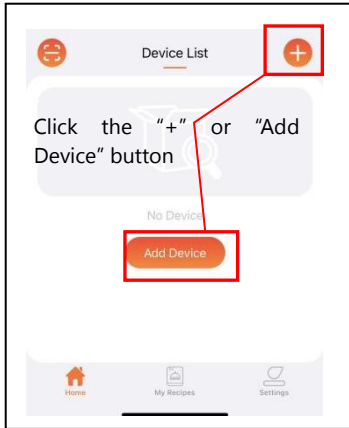
Search for "The Space Sous Vide" in the App Store or Google Play and download it.

2. Open the app, create your account and log in.



3. Add your device

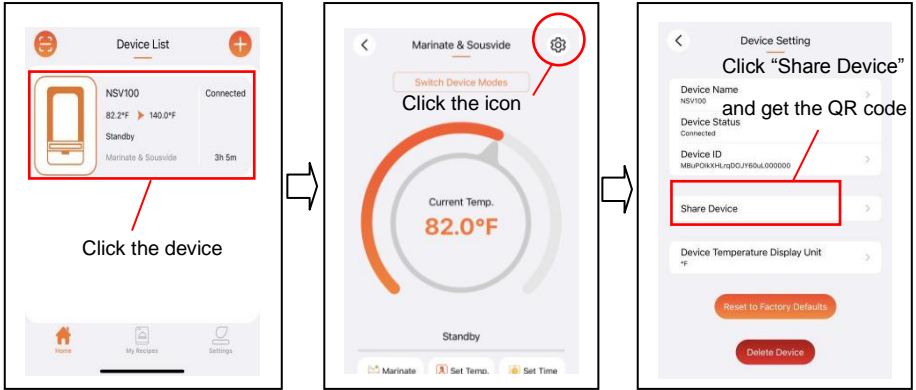
Tap the "+" or "Add Device" button → Select your Wi-Fi and enter the password → Press and hold the "Manual" and "Set" buttons simultaneously until the Wi-Fi indicator on the display flashes → Wait for connection → Name your device



Note: The product image on the app UI may be different as there are different models of products. But it will not affect your operation and control.

****Share your device:**

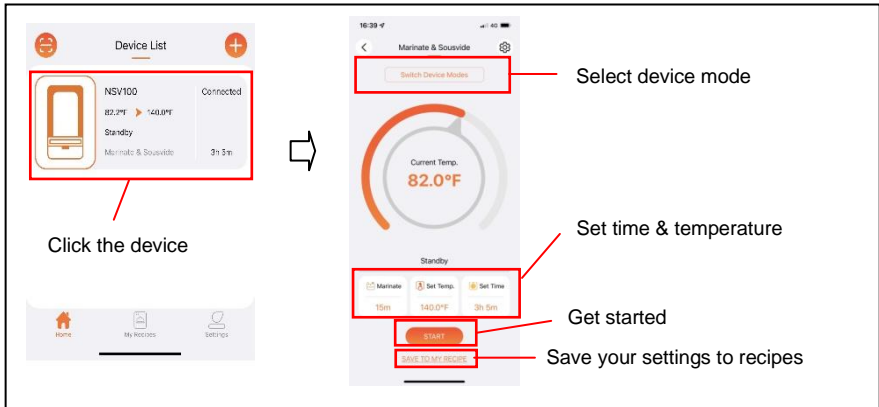
You can share your device with others on The Space app. Go to the Setting page of the device, click "Share Device" and a QR code will be created. Scan the QR code with The Space app of another user: Go to the Home page of the app, click the icon at the top left corner and scan it.



How to use the app

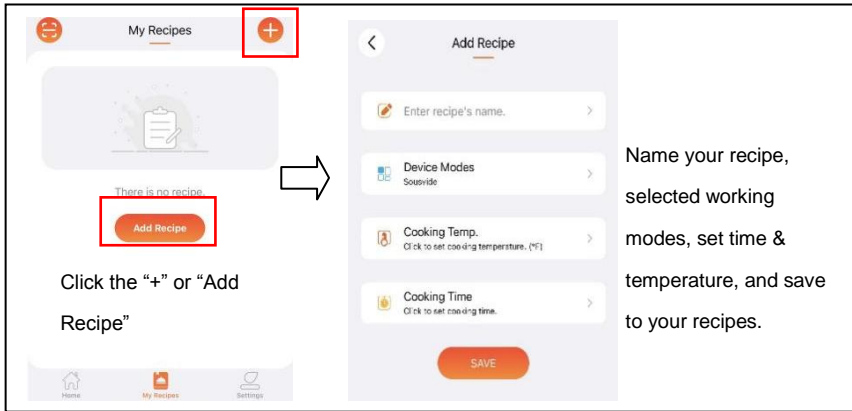
1. Home:

Choose the device mode and set the time and temperature to get started. Your settings can be saved as a recipe for future use.



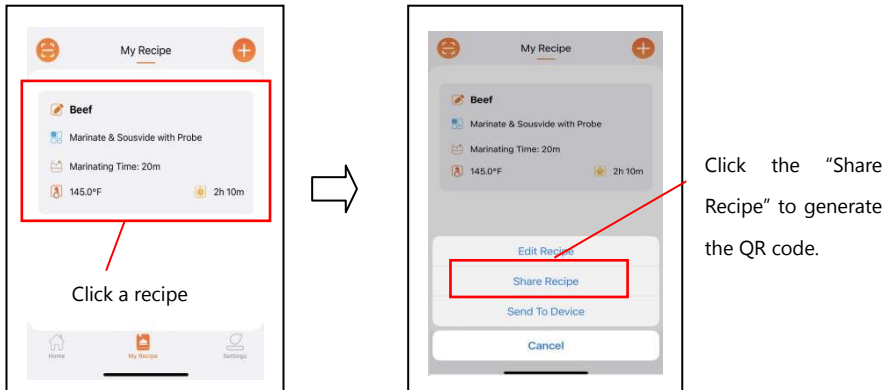
2. My Recipe:

You can customize your recipes and save them in the app. If you want to use the recipe again, you can send it directly to the device.



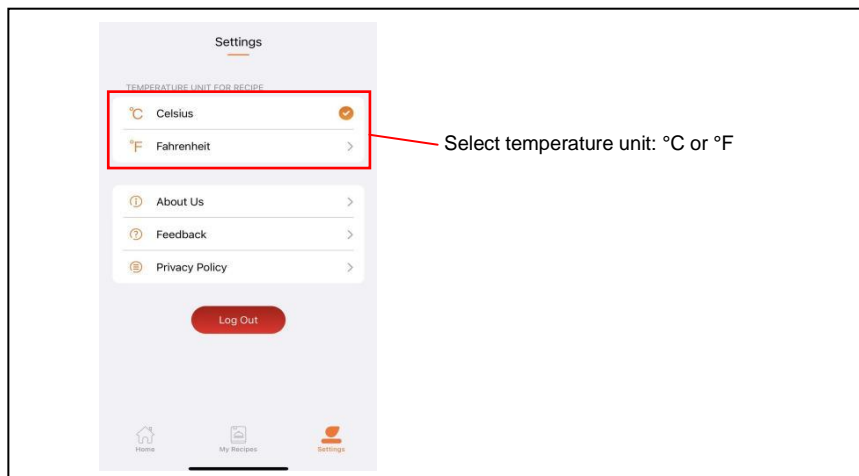
**Share your recipe:

You can create a QR code for your recipe. Other users can scan the QR code to get the recipe with their apps.



3. Settings:

You can select °C or °F as the temperature unit.



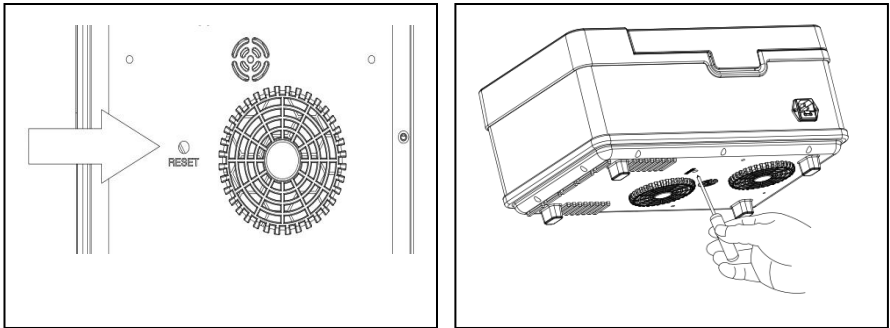
Care and Cleaning

- Disconnect the power before cleaning or maintaining.
- Clean the surface of the machine with soft cloth with warm water.
- Take out and clean the tray after each use. Do not use abrasive scrubbers as they can cause damage to the tray finishes. Place the tray back to its original position after you clean it.
- When cleaning the machine, do not submerge the probe in water to avoid damaging it.
- Before each use, check if the lid or the sealing ring is broken or damaged. If so, do not use the machine.
- Do not place any hot/sharp/heavy items on the lid, or the lid can be damaged.
- Take off the drip tray regularly, empty the water and clean it.
- Only professionals should attempt to disassemble or repair the machine.
- Keep the machine in an upright position standing on its support legs when moving or transporting it.
- The factory will not be responsible for any damage or quality problems caused by user error or failure to follow the instructions in this manual.

Troubleshooting

Cannot start

- Make sure that the machine is plugged into the outlet and the machine power is turned on.
- Check whether the power cord is damaged. If it is damaged, do not use the machine.
- Use a screwdriver to press the reset lever inside the RESET hole at the bottom of the machine, and then power on the machine again.



- If not for the above reasons, please consult a professional for maintenance (the problem may be: the control panel is damaged, the wire connector is loose, etc.).

Cannot vacuum

- Please check whether the sealing ring is installed correctly.
- The vacuum pump piping may be loose, which requires professional maintenance.
- The control panel, power panel, or the wire connector may be loose, which requires professional maintenance.

Cannot heat up

- Check whether the tray is in place.
- The control panel, power panel, or the wire connector may be loose, which requires professional maintenance.

Cannot open the lid

- When the "Lock" icon is lit, the lid is not allowed to open. Only after the "Unlock" icon lights up can the lid be opened.
- Press the "Power" button when the machine is connected to the power outlet.
- The wire connector of the solenoid valve may be loose, which requires professional maintenance.

Cannot adjust the displayed temperature and time

- The wire connector of the panel may be loose, which requires professional maintenance.
- The control panel or power panel may be damaged, which requires professional maintenance.

Cannot connect to Wi-Fi

- Check whether the network is working.
- Restart the machine and try again.
- The Wi-Fi module may be damaged, which requires professional maintenance.

Diagnostic trouble codes

If the machine shows the following codes, please follow these instructions to solve the problem:

Code	Indication	Solution
LP	The machine lost power during the last cooking process.	Press the "START/STOP" button to cancel the display.
HF	The machine does not heat up as the tray is not in place.	<ol style="list-style-type: none"> 1. Press the "START/STOP" or "Power" button to cancel the code display. 2. Check whether the tray is in place. 3. If the tray is in place and the code is still there, it may be the problem of the probe, the control panel, the power panel, or the wire connector. In this case, please contact professionals for maintenance.
OH	The IGBT or magnetic coil is overheated.	Stop the machine and cool it down for at least 30 minutes.
PR_E	The probe is not correctly inserted in the food in NeoVide mode or Marinate NeoVide mode.	<ol style="list-style-type: none"> 1. Press the "START/STOP" or "Power" button to cancel the code display. 2. Check whether the probe is inserted in the food correctly.

		3. If the probe is in place and the code is still there, it may be that the probe got damaged or the wire connector got loose. In this case, please contact professionals for maintenance.
Clos	The lid is closed in Mild Sear mode.	Open the lid.
Open	The lid is open in NeoVide, Manual, or Marinate NeoVide mode.	Close the lid.

Note: If the above troubleshooting does not solve your problem, please contact a professional.

COMPLIANCE

The WEEE logo on this product or its documentation indicates the product must not be disposed of as household waste. To prevent possible harm to human health or the environment, the product must be disposed of in an authorized waste collection point. For further information on how to dispose of this product correctly, contact the local authority responsible for the waste management in your area.



The Space parts have undergone strict product testing in order to comply with regulatory standards and specifications set by international, independent, and federal authorities.

The Space products have been approved to carry the following EU Marks:

Low Voltage Directive 2014/35/EU

EN 60335-2-15:2016+A11:2018 used in conjunction with

EN 60335-1:2012 + AC:2014 + A11:2014 + A13:2017 +A1:2019 + A14:2019 + A2:2019

EN 62233:2008+AC:2008

Electromagnetic Compatibility Directive 2004/108/EC

EN 55014-1:2006+A1:2009+A2:2011,

EN 55014-2:1997+A1:2001+A2:2008,

EN 61000-3-2:2006+A1:2009+A2:2009,

EN 61000-3-3:2013



RoHS Directive 2011/65/EU

IEC 62321-3-1:2013 Ed. 1.0

IEC 62321-5:2013 Ed. 1.0

IEC 62321-4:2013 +AMD1:2017

IEC 62321-7-2:2017 Ed. 1.0

IEC 62321-7-1:2015 Ed. 1.0

IEC 62321-6:2015 Ed. 1.0

IEC 62321-8:2017 Ed. 1.0



WARRANTY INFORMATION

Our products come with a 2-year limited warranty. Warranty replacements are eligible within 2 years of the original date of purchase. To be eligible for a warranty replacement, you must:

- Have purchased the product within the last 2 years.
- Have the original order number, or email that was used during your purchase. If purchased through a reseller, retail partner, or other website, you must provide a copy of your original receipt.

** Email us to request warranty service: service@thespacetec.com **



THE SPACE WARRANTY CARD

** Email us to request warranty service: service@thespacetec.com **

Customer Name _____

Address _____

City/State/Zip _____

Telephone Number _____

E-Mail Address _____

Original Date of Purchase _____

Product Model No. _____

Serial No. (If Applicable) _____

Merchant's name _____

Manual de uso

Índice

Instrucciones de seguridad importantes	31
Especificaciones	32
Conozca su Neovide	33
Panel de control	34
Instrucciones de cocina	37
Cómo usar Neovide	38
Sonda para los alimentos	38
Bandeja de goteo	39
Antes de usar	39
Modo Neovide	39
Modo Manual	41
Modo Marinate	42
Modo Marinate Neovide	43
Modo Mild Sear	44
Conéctese a nuestra aplicación	45
Cómo conectarse a la Wi-Fi	45
Cómo usar la aplicación	47
Mantenimiento y limpieza	50
Solución de problemas	51
CUMPLIMIENTO NORMATIVO	54
INFORMACIÓN SOBRE LA GARANTÍA	55

Instrucciones de seguridad importantes

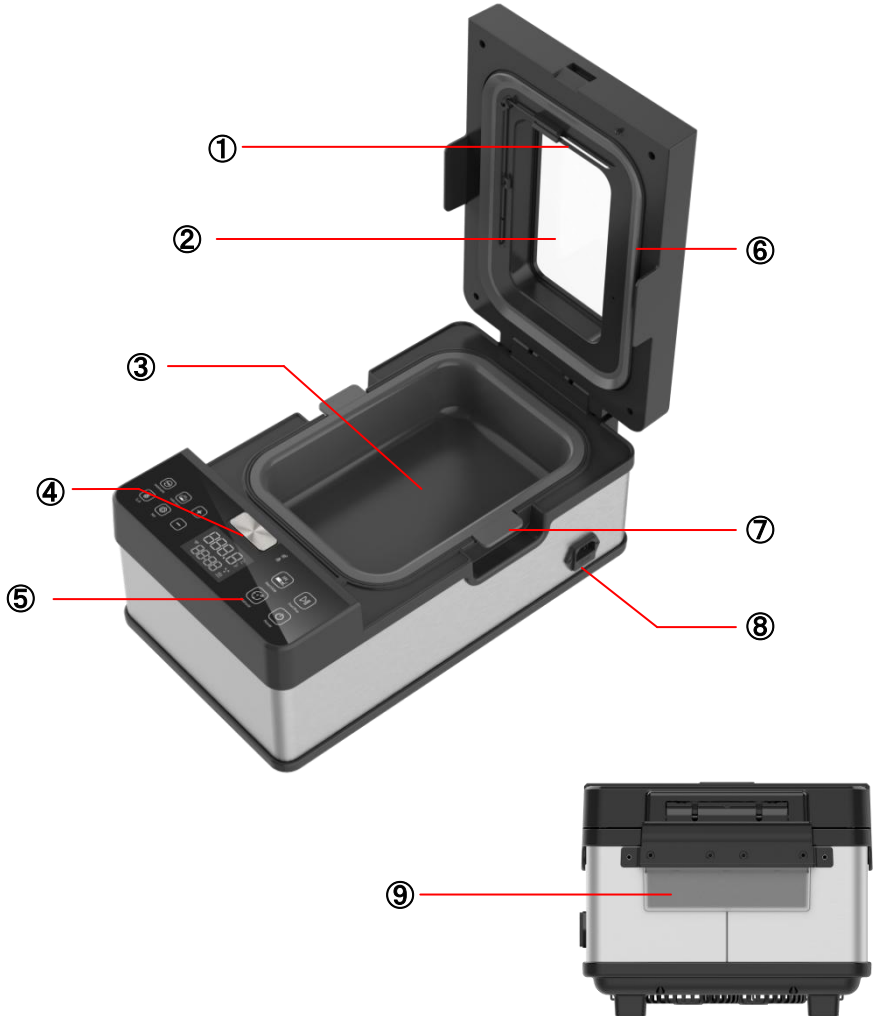
Cuando vaya a usar este producto, siga las siguientes instrucciones:

- Lea el manual de uso antes de usarlo.
- Conéctelo únicamente a la corriente que se especifica en la etiqueta.
- Use el producto en una superficie seca, firme y estable.
- Conéctelo a un enchufe con toma de tierra y disyuntor.
- Mantenga secos el cable y la clavija para evitar una descarga eléctrica.
- Antes de mover o limpiar el producto o cuando no esté en funcionamiento, desenchúfelo.
- Para desconectar el cable, tire de la clavija y desenchúfela. Jamás lo desenchufe tirando del cable.
- No use el producto si el cable o la clavija están dañados.
- No lo use con bases de enchufes ni cables de extensión.
- No toque las piezas calientes, como la tapa, la cámara y la sonda mientras el producto esté en funcionamiento o antes de que estas se enfríen.
- No toque la punta de la sonda porque puede provocar heridas.
- Para evitar que se estropee, no sumerja la sonda en agua cuando vaya a limpiar el dispositivo.
- No coloque ningún objeto, especialmente objetos metálicos, dentro de la cámara donde se coloca la bandeja.
- Mantenga el producto fuera del alcance de los niños y de personas con capacidades físicas, sensoriales y mentales reducidas.
- Si el producto falla o se ha dañado, no lo vuelva a usar. Contacte con profesionales para que se lo revisen o le hagan mantenimiento.
- Este producto solo debe utilizarse con los fines previstos.

Especificaciones

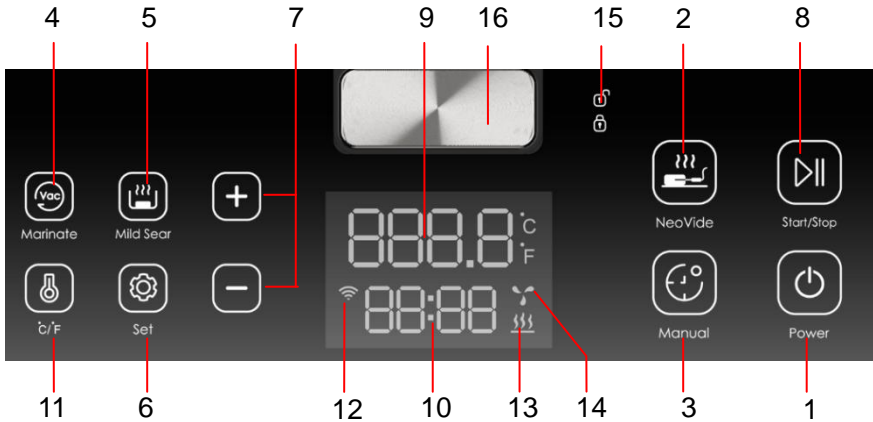
Modelo	NSV100		
Fuente de alimentación	EE. UU. 110-120 V, 60 Hz	UE 220-240 V, 50 Hz	JP 100 V, 50/60 Hz
Potencia	700 W	650 W	620 W
Presión de la bomba de vacío	-711 mbar \pm 10 %/-21" Hg \pm 10 %		
Velocidad de flujo	6 L/min \pm 15 %		
Capacidad de la bandeja	3 L		
Dimensiones del dispositivo	467 mm \times 263 mm \times 208 mm (18,4" \times 10,4" \times 8,2")		
Dimensiones de la bandeja	260 mm \times 180 mm \times 65 mm (10,2" \times 7,1" \times 2,6")		
Rango de temperatura (modo Manual/Neovide)	20-95 °C (68-203 °F)		
Temporizador (Modo Manual)	00:05-99:59		
Rango de temperatura (modo Mild Sear)	150-210 °C (302-410 °F)		
Temporizador (modo Mild Sear)	0:01-00:30		
Temporizador (Modo Marinate)	0:05-00:50 (1-10 ciclos, cada ciclo dura 5 min)		
Peso	8,1 kg (17,9 lb)		
Condiciones de funcionamiento	Temperatura: 5-35 °C (41-95 °F), Humedad: \leq 85 %		
Conectividad	Wi-Fi 802.11 b/g/n 2,4 GHz Bluetooth 5.0		
Aplicaciones	iOS/Android		

Conozca su Neovide



- ① Sonda para los alimentos ② Tapa ③ Bandeja interna ④ Botón de la tapa ⑤ Panel de control
⑥ Junta aislante ⑦ Mango de la bandeja ⑧ Puerto de alimentación ⑨ Bandeja de goteo

Panel de control



N.º	Botón/Icono	Descripción
1	Power	<ul style="list-style-type: none"> - Al enchufar el dispositivo a la corriente, se activará el modo de ahorro de energía y solo se iluminará levemente el botón «Power» (encender). - Pulse el botón «Power» para pasar al modo de espera, en el que se encenderá el botón «NeoVide» y, además, otros botones de manera más tenue. - En el modo de espera o mientras esté el dispositivo en funcionamiento, pulse el botón «Power» para volver al modo de ahorro de energía.
2	NeoVide	<ul style="list-style-type: none"> - Pulse este botón para activar el modo NeoVide. Se encenderá este icono. - Mientras esté en este modo, introduzca la sonda en el centro del alimento. En la pantalla se mostrará la temperatura interna del alimento.

3	Manual	<ul style="list-style-type: none"> - Pulse este botón para seleccionar el modo Manual. Se encenderá este icono. - En este modo, es posible seleccionar el tiempo y la temperatura de manera manual, por lo que no es necesario usar la sonda.
4	Marinate	Pulse este botón para seleccionar el modo Marinate (marinado). Se encenderá este icono.
5	Mild Sear	Pulse este botón para seleccionar el modo Mild Sear (sellado suave). Se encenderá este icono.
6	Set	<p>Ajustes: Tras seleccionar un modo, se puede ajustar la temperatura y el tiempo pulsando el botón «Set». Cuando parpadee el número de la pantalla, toque o mantenga pulsado el botón «+» o «-» para ajustar la temperatura y el tiempo.</p> <p>Ver los ajustes: Mientras esté en funcionamiento, mantenga pulsado el botón «Set» durante 3 segundos para ver los ajustes de temperatura y de tiempo.</p> <p>Si no se modifica ningún ajuste, el número de la pantalla parpadeará 10 veces antes de que se cierre este menú automáticamente.</p>
7	+/-	Cuando parpadee el número en la pantalla, toque o mantenga pulsado el botón «+» o «-» para ajustar la temperatura y el tiempo.
8	Start/Stop	Pulse este botón para iniciar el dispositivo en el modo seleccionado.
9	Indicador de temperatura	Muestra la temperatura actual o la temperatura seleccionada.
10	Indicador de tiempo	Muestra el tiempo de funcionamiento o el tiempo seleccionado.
11	°C/°F	En el modo de espera, pulse el botón «°C/°F» para cambiar la unidad de medida de la temperatura.
12	Icono de Wi-Fi	El icono de Wi-Fi se ilumina al conectar el dispositivo a la aplicación móvil.

13	Indicador de cocción	Este indicador se enciende cuando el dispositivo está calentando.
14	Indicador de la bomba de vacío	Este indicador aparece cuando el dispositivo está vaciando el aire.
15	Bloqueado/Desbloqueado	Si el icono de «desbloqueado» está encendido, se puede abrir la tapa. Si el icono de «bloqueado» está encendido, significa que el dispositivo está en funcionamiento y no se puede abrir la tapa. Si desea abrirla, debe parar el dispositivo y abrirlo cuando se ilumine el icono de «desbloqueado».
16	Botón de la tapa	Pulse el botón de la tapa para abrirla.
17	Restablecer ajustes de fábrica	En el modo de espera, pulse simultáneamente los botones «Mild Sear» y «Manual» durante 3 segundos hasta que oiga un pitido, el dispositivo pasará al modo Neovide (la temperatura de la pantalla será de 60 °C y el temporizador estará en 24:00); entonces puede soltar los botones. De esta forma, el dispositivo volverá a funcionar con los ajustes de fábrica.

Instrucciones de cocina

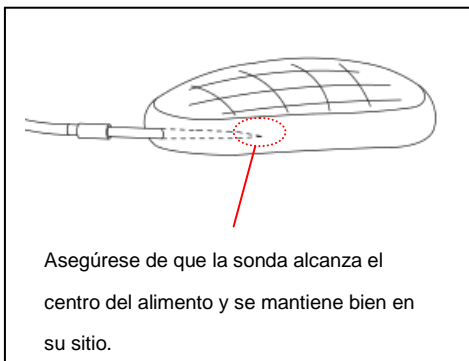
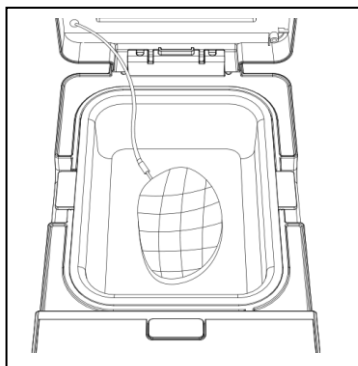
5. Es recomendable usar el modo Neovide (con la sonda) si se trata de comida con forma regular (es decir, alimentos en lonchas o troceados, tales como filetes de ternera, chuletas de cerdo, pechugas de pollo, salmón, etc.). Para ello, coloque el alimento en la bandeja e introduzca la sonda con firmeza en el centro de dicho alimento.
6. Se recomienda usar el modo Manual para la comida en la que sea complicado introducir la sonda. En este modo, al igual que en la técnica *sous vide* tradicional, se puede regular el tiempo y la temperatura. Sin embargo, es optativo usar agua y bolsas de vacío, lo que le da más libertad a la hora de cocinar.
7. Si va a cocinar verduras, seleccione el tiempo y la temperatura adecuados. Al igual que ocurre con el *sous vide* tradicional, algunas verduras pueden liberar gases y estropearse si se cocinan al vacío durante mucho tiempo.

Cómo usar Neovide

Sonda para los alimentos

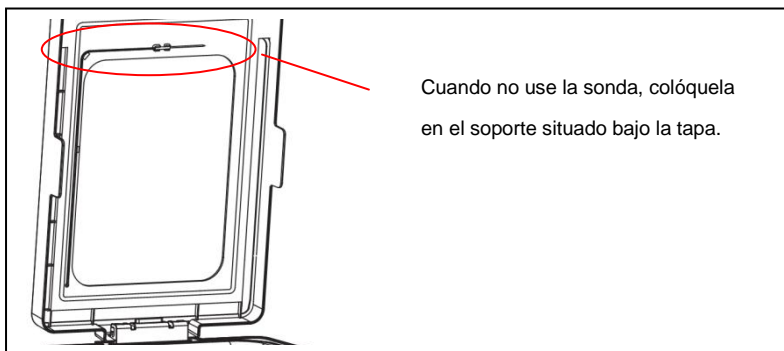
- En el modo Neovide, se debe introducir la sonda en el centro del alimento.

Aviso: La punta de la sonda (10 mm) es el sensor de temperatura. Asegúrese de haber introducido la punta de la sonda en el centro del alimento. Es recomendable introducir la sonda desde uno de los laterales hasta el centro del alimento para que se quede fija. En caso de que sea complicado, también puede introducir la sonda desde la parte superior, siempre y cuando se asegure de que esta llega al centro del alimento y está bien sujeta. De lo contrario, es posible que no se detecte la temperatura con precisión.



Asegúrese de que la sonda alcanza el centro del alimento y se mantiene bien en su sitio.

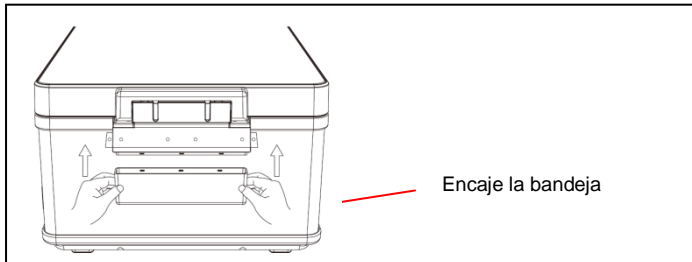
- Cuando no use la sonda, colóquela en el soporte situado bajo la tapa.



Cuando no use la sonda, colóquela en el soporte situado bajo la tapa.

Bandeja de goteo

La bandeja de goteo se encuentra en la parte trasera del dispositivo, en ella se acumula el líquido generado durante la cocción.



Antes de usar

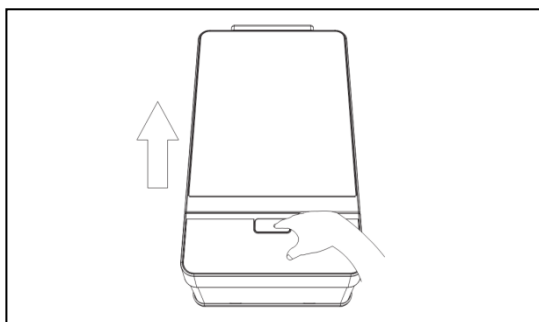
- Enchufe el dispositivo en la toma de corriente y se activará el modo de ahorro de energía; solo se iluminará el botón «Power» levemente.
- Pulse el botón «Power» para entrar en el modo de espera, en el que se encenderá el botón «Neovide» y, además, otros botones de manera más tenue.
- Pulse el botón «°C/°F» para cambiar la unidad de medida de la temperatura. El dispositivo recordará su selección y usará la unidad por defecto la próxima vez.

Modo Neovide

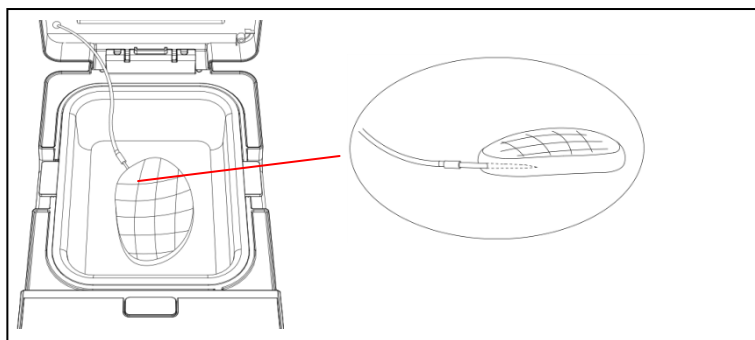
En el modo Neovide, la sonda mide y controla con exactitud la temperatura del centro del alimento, por lo que se consigue así una cocción *sous vide* muy precisa. Seleccione la temperatura deseada para usar este modo, pues no es necesario configurar los ajustes de tiempo. Es posible probar diferentes temperaturas para crear platos únicos que se adapten a su gusto.

(Está en el modo Neovide cuando está iluminado el icono «Neovide»).

1. Pulse el botón «Neovide» para activar el modo Neovide. En este modo, se usa la sonda para ver la temperatura del alimento en el indicador.
2. Pulse el botón «Set» y ajuste la temperatura con «+» y «-».
3. Pulse el botón de la tapa para abrirla.



4. Coloque la comida en la bandeja, extraiga la sonda de la tapa e introdúzcala en el alimento. Asegúrese de que la sonda alcanza el centro del alimento y se mantiene bien en su sitio.



5. Cierre la tapa y pulse el botón «Start/Stop» para que el dispositivo empiece a expulsar el aire y a calentar.
6. Cuando se alcance la temperatura seleccionada, el dispositivo emitirá un pitido y pasará automáticamente al modo en que se mantiene la temperatura. En este modo, aparecerá en el indicador superior «Hold» (espera) y en el inferior el tiempo de espera. Puede pulsar el botón «Start/Stop» para finalizar el proceso.

Aviso: Durante los primeros cinco minutos de este modo, se emiten tres pitidos con un intervalo de un minuto.

7. Cuando finalice el programa seleccionado, se encenderá el icono de «desbloqueado» y se podrá abrir la tapa en cualquier momento.

Aviso: La tapa solo puede abrirse cuando el icono de «desbloqueado» esté iluminado. Mientras esté en funcionamiento, el icono de «bloqueado» estará iluminado y no se podrá

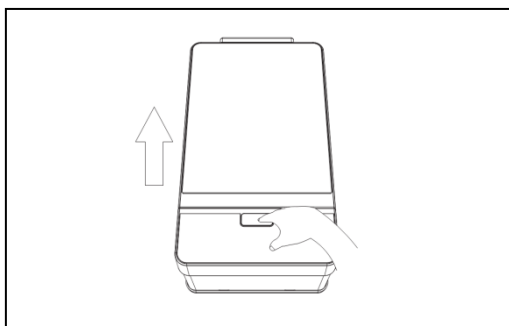
abrir la tapa. Si desea abrirla, pulse el botón «Start/Stop» para detener el funcionamiento.

Modo Manual

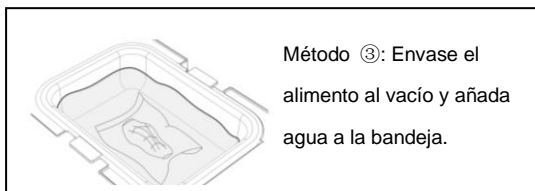
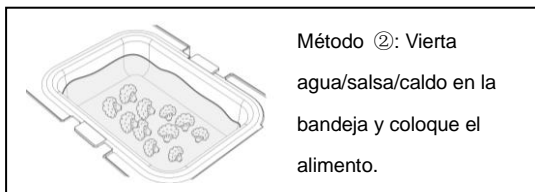
Puede usar el modo Manual para los alimentos en los que no se pueda introducir la sonda, como es el caso de sopas, huevos o verduras con forma irregular. En este modo, al igual que en la técnica *sous vide* tradicional, se puede regular el tiempo y la temperatura. Sin embargo, es optativo usar agua y bolsas de vacío, lo que le da más libertad a la hora de cocinar.

(Está en el modo Manual cuando está iluminado el icono «Manual»).

1. Pulse el botón «Manual».
2. Pulse el botón «Set» para abrir el panel de configuración. Ajuste la temperatura y el tiempo con «+» o «-» cuando parpadee el número correspondiente.
3. Pulse el botón de la tapa para abrirla.



8. Elija el método adecuado para cocinar el alimento.



Aviso: Cuando use alguno de estos métodos anteriores, deje la sonda en el soporte y no la sumerja en agua para evitar que se dañe.

5. Cierre la tapa y pulse el botón «Start/Stop» para iniciar el proceso.

6. Cuando se alcance la temperatura seleccionada, el dispositivo emitirá un pitido y comenzará la cuenta atrás.

Aviso: Si desea comenzar la cuenta atrás antes de alcanzar la temperatura seleccionada, pulse el botón «Start/Stop» de nuevo.

7. Cuando termine la cuenta atrás, el dispositivo emitirá un pitido y pasará automáticamente al modo en que se mantiene la temperatura.

Aviso: Durante los primeros cinco minutos de este modo, el dispositivo emitirá tres pitidos con un intervalo de un minuto.

8. Cuando finalice el método seleccionado, se encenderá el icono de «desbloqueado» y se podrá abrir la tapa en cualquier momento.

Aviso: Solo se puede abrir la tapa si el icono de «desbloqueado» está encendido. Mientras esté en funcionamiento, el icono de «bloqueado» estará iluminado y no se podrá abrir la tapa. Si desea abrirla, pulse el botón «Start/Stop» para detener el funcionamiento.

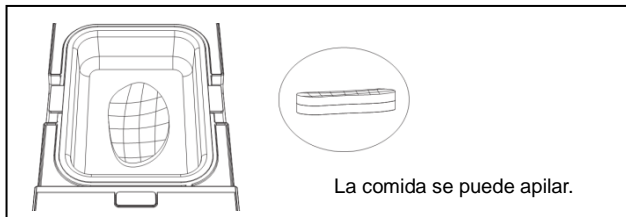
Modo Marinate

(Está en el modo Marinate [marinado] cuando el icono «Marinate» está iluminado).

1. Pulse el botón «Marinate» para activar el modo Marinate.

2. Pulse el botón «Set» y ajuste el tiempo con «+» y «-».

3. Pulse el botón de la tapa para abrirla y coloque el alimento en la bandeja. La comida se puede apilar.



4. Cierre la tapa y pulse el botón «Start/Stop» para comenzar con el marinado.

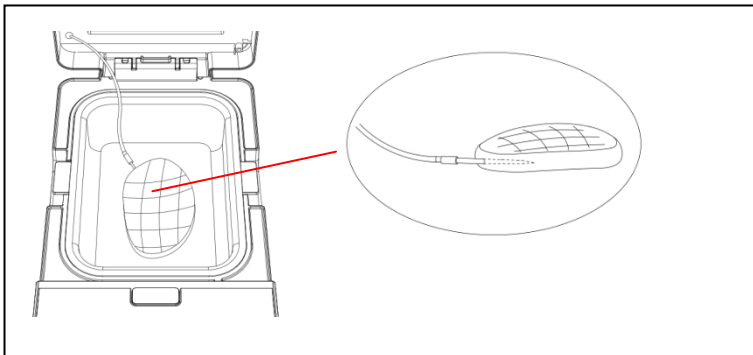
5. Cuando finalice el tiempo de marinado, el dispositivo emitirá tres pitidos.
6. Una vez finalizado el proceso, se iluminará el icono de «desbloqueado». Ya puede pulsar el botón de la tapa para abrirla y sacar el alimento.

Aviso: La tapa solo puede abrirse cuando el icono de «desbloqueado» esté iluminado. Mientras esté en funcionamiento, el icono de «bloqueado» estará iluminado y no se podrá abrir la tapa. Si desea abrirla, pulse el botón «Start/Stop» para detener el funcionamiento.

Modo Marinate Neovide

(Está en el modo Marinate Neovide cuando los iconos «Marinate» y «Neovide» estén iluminados).

1. Pulse los botones «Marinate» y «Neovide» para activar el modo Marinate Neovide. En este modo, el dispositivo comenzará primero a marinar y, más tarde, la cocción *sous vide* con la sonda.
2. Pulse el botón «Set» para abrir el panel de configuración. Ajuste el tiempo de marinado y la temperatura del *sous vide* con los botones «+» y «-» cuando parpadee el número correspondiente.
3. Pulse el botón de la tapa para abrirla y coloque el alimento en la bandeja.
4. Extraiga la sonda de la tapa e introdúzcala en el alimento. Asegúrese de que la sonda alcanza el centro del alimento y se mantiene bien en su sitio.



5. Cierre la tapa y pulse el botón «Start/Stop» para comenzar primero con el modo Marinate (marinado) y más tarde con el modo Neovide.
6. Cuando se alcance la temperatura seleccionada, el dispositivo emitirá un pitido y pasará automáticamente al modo en que se mantiene la temperatura. En este modo, aparecerá en el

indicador superior «Hold» (espera) y en el inferior el tiempo de espera. Pulse el botón «Start/Stop» para finalizar el proceso.

Aviso: Durante los primeros cinco minutos de este modo, el dispositivo emitirá tres pitidos con un intervalo de un minuto.

7. Cuando finalice el método seleccionado, se encenderá el icono de «desbloqueado» y se podrá abrir la tapa en cualquier momento.

Aviso: La tapa solo puede abrirse cuando el icono de «desbloqueado» esté iluminado. Mientras esté en funcionamiento, el icono de «bloqueado» estará iluminado y no se podrá abrir la tapa. Si desea abrirla, pulse el botón «Start/Stop» para detener el funcionamiento.

Modo Mild Sear

(Está en el modo Mild Sear [sellado suave] cuando el icono "Mild Sear" esté iluminado).

1. Abra la tapa.

2. Pulse el botón «Mild Sear» para entrar en el modo Mild Sear.

3. Pulse el botón «Set» para ajustar el tiempo y la temperatura pulsando o manteniendo los botones «+» y «-» cuando parpadee el número correspondiente.

4. Pulse el botón «Start/Stop» para iniciar la cocción.

Aviso: Si tras pulsar el botón «Start/Stop» aparece «Clos» en la pantalla, significa que la tapa está cerrada y deberá abrirla para comenzar.

5. Compruebe que la bandeja está seca antes de añadir el aceite.

6. Cuando se alcance la temperatura seleccionada, el dispositivo emitirá un pitido y comenzará la cuenta atrás. En ese momento, coloque el alimento sobre la bandeja y se comenzará a dorar. Durante el proceso, puede darle la vuelta a la comida en el momento oportuno.

Aviso: Si desea comenzar a dorar antes de que se alcance la temperatura seleccionada, pulse el botón «Start/Stop» para que se inicie la cuenta atrás y pueda colocar el alimento en la bandeja.

7. Cuando termine la cuenta atrás, el dispositivo emitirá tres pitidos y finalizará el proceso.

Aviso: Si no ha finalizado la cuenta atrás, pulse el botón «Start/Stop» para que el dispositivo pare el proceso.

Conéctese a nuestra aplicación

Cómo conectarse a la Wi-Fi

2. Descárguese la aplicación «The Space»:



- iOS: Vaya a la App Store y busque «The Space Sous Vide». Descargue e instale la aplicación con este icono.
- Android: Vaya a Google Play y busque «The Space». Descargue e instale la aplicación con este icono.

2. Abra la aplicación, cree una cuenta e inicie sesión.



Si ya tiene una cuenta, inicie sesión directamente.

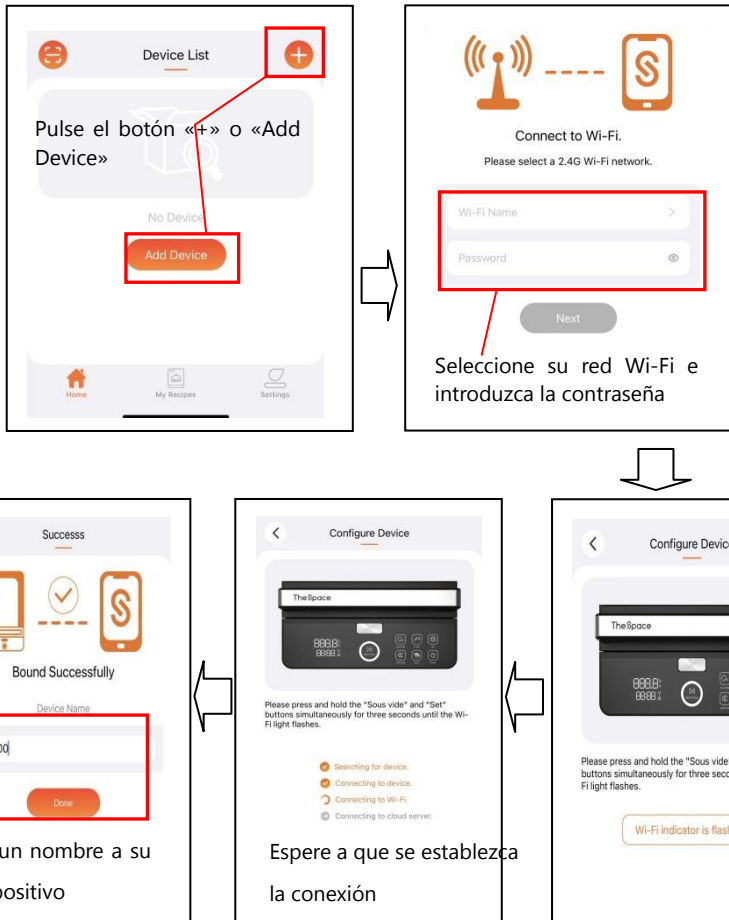
En cambio, si es un usuario nuevo, debe crear una cuenta.

También puede iniciar sesión con su cuenta de Apple o Google.

Marque la casilla.

3. Añada su dispositivo

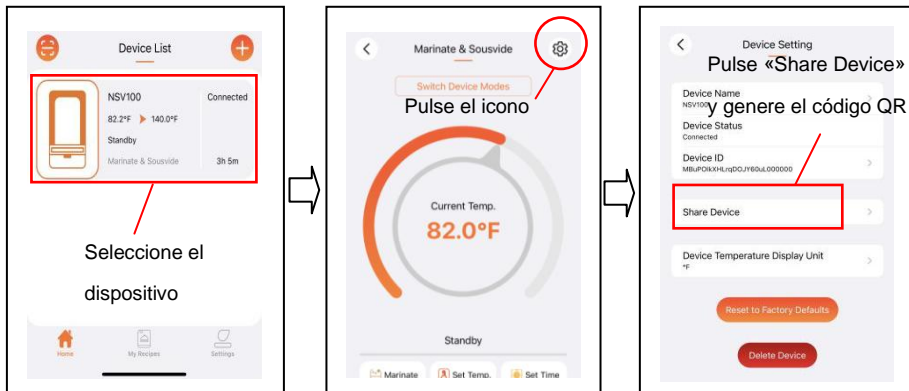
Pulse el botón «+» o «Add Device» → Seleccione su red Wi-Fi e introduzca la contraseña → Pulse y mantenga los botones «Manual» y «Set» a la vez hasta que parpadee el icono de Wi-Fi → Espere a que se establezca la conexión → Dé un nombre a su dispositivo



Aviso: La imagen del producto que aparece en la interfaz de la aplicación puede ser diferente, ya que hay varios modelos. Eso no afectará a su funcionamiento ni al control.

****Comparta su dispositivo:**

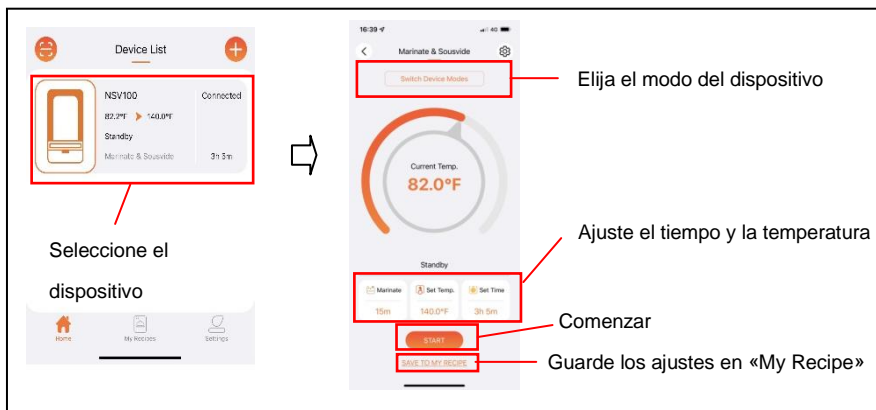
Puede compartir su dispositivo con otros usuarios en la aplicación The Space. Diríjase a la ventana «Settings» (configuración de la aplicación), pulse «Share Device» y se generará un código QR. Escanee el código QR con la app The Space de otro usuario: Diríjase a la página «Home» de la app, pulse el icono que está en la esquina superior izquierda y escanee el código QR.



Cómo usar la aplicación

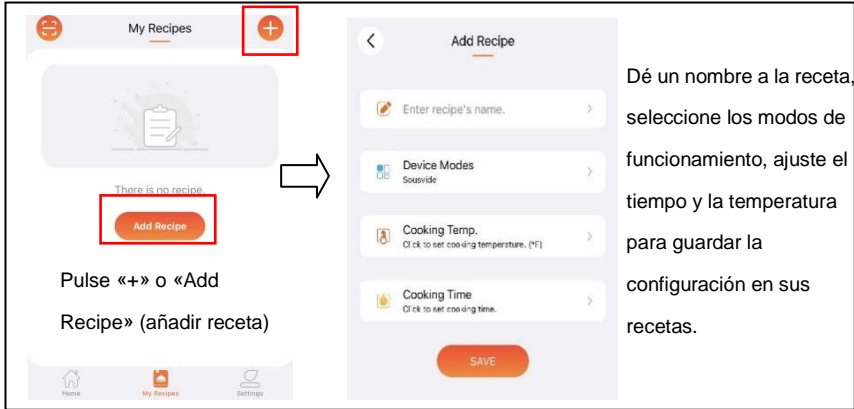
1. Home:

Elija el modo del dispositivo. Ajuste el tiempo y la temperatura antes de comenzar. Los ajustes se pueden guardar como recetas en «My Recipe» para su uso posterior.



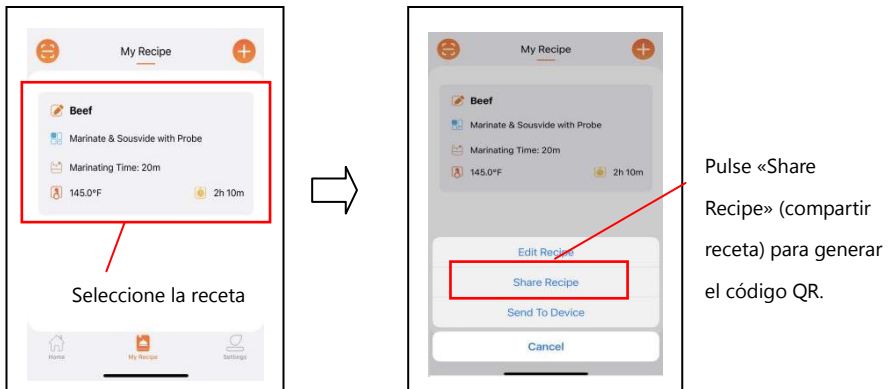
2. «My Recipe»:

Puede personalizar sus recetas y guardarlas en la aplicación. Si desea volver a usar una receta, puede enviarla directamente a su dispositivo.



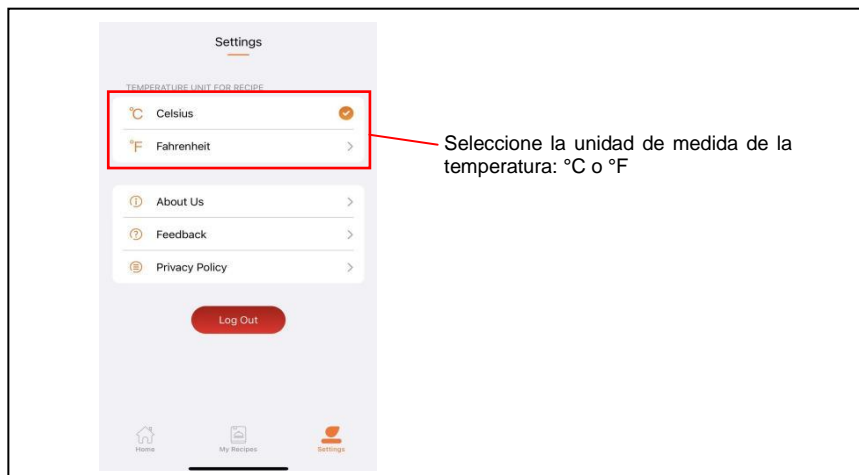
**Comparta su receta:

Puede generar un código QR de su receta. Otros usuarios podrán escanear el código QR para guardar la receta en sus aplicaciones.



3. Ajustes:

Puede seleccionar °C o °F como unidad de medida de la temperatura.



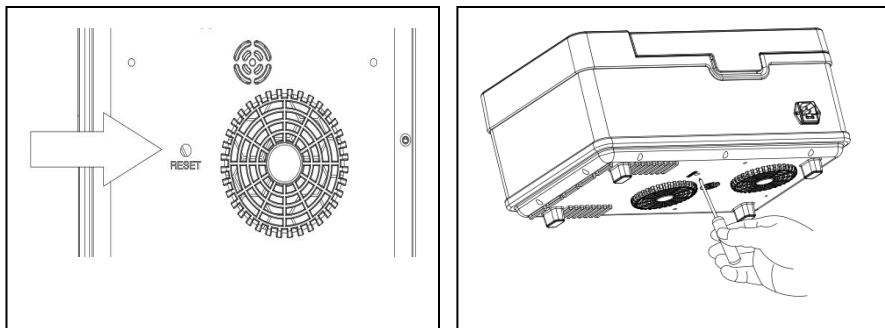
Mantenimiento y limpieza

- Desconecte el dispositivo de la toma de corriente antes de limpiarlo o hacerle mantenimiento.
- Limpie la superficie del dispositivo con un paño suave y agua tibia.
- Saque la bandeja y límpiela después de cada uso. No use estropajos ásperos que puedan dañar la superficie de la bandeja. Vuelva a colocar la bandeja en su lugar después de limpiarla.
- Si va a limpiar el dispositivo, no sumerja la sonda en agua, ya que puede estropearse.
- Antes de cada uso, asegúrese de que la tapa o la junta aislante no estén rotas o dañadas. Si es el caso, no use el dispositivo.
- No coloque objetos calientes/afilados/pesados sobre la tapa, ya que puede dañarse.
- Extraiga la bandeja de goteo regularmente, vacíe el agua y límpiela.
- Solo los profesionales deben desmontar o reparar el dispositivo.
- Si va a mover o transportar el dispositivo, apóyelo sobre sus patas.
- La fábrica no se responsabiliza de ningún daño o problemas de calidad causados por un error o fallo del usuario al seguir las instrucciones de este manual.

Solución de problemas

No se enciende

- Asegúrese de que el dispositivo esté enchufado y encendido.
- Compruebe que el cable de alimentación no esté dañado. Si lo está, no use el dispositivo.
- Use un destornillador para presionar el botón de reinicio situado en el orificio de «RESET» en la parte inferior del dispositivo y vuelva a encender el dispositivo.



- Si no se debe a ninguna de las causas anteriores, contacte con un profesional para que lo revise (posibles problemas: panel de control dañado, conector de cable suelto, etc.).

No hace el vacío

- Compruebe que la junta aislante esté instalada correctamente.
- El conducto de la bomba de vacío podría estar suelto, por lo que es necesario mantenimiento profesional.
- El panel de control, el panel eléctrico o el conector del cable podrían estar sueltos, por lo que es necesario mantenimiento profesional.

No calienta

- Compruebe que la bandeja esté bien colocada.
- El panel de control, el panel eléctrico o el conector del cable podrían estar sueltos, por lo que es necesario mantenimiento profesional.

No se abre la tapa

- Si el icono de «bloqueado» está iluminado, la tapa no se puede abrir. Solamente se puede abrir la tapa cuando el icono de «desbloqueado» esté iluminado.
- Pulse el botón «Power» cuando el dispositivo esté enchufado.
- El conector del cable de la válvula solenoide podría estar suelto, por lo que necesita mantenimiento profesional.

No se puede ajustar la temperatura y el tiempo

- El conector del cable del panel podría estar suelto, por lo que necesita mantenimiento profesional.
- El panel de control o eléctrico podrían estar dañados, por lo que necesita mantenimiento profesional.

No se conecta a la Wi-Fi

- Compruebe que la red funciona correctamente.
- Reinicie el dispositivo y pruebe de nuevo.
- El módulo Wi-Fi podría estar dañado, por lo que necesita mantenimiento profesional.

Códigos de diagnóstico de problemas

Si el dispositivo muestra los siguientes códigos, siga las instrucciones para resolver el problema:

Código	Indicador	Solución
LP	El dispositivo se quedó sin electricidad durante la última cocción.	Pulse el botón «Start/Stop» para que el código deje de aparecer.
HF	El dispositivo no calienta porque la bandeja no está bien colocada.	<ol style="list-style-type: none">1. Pulse el botón «Start/Stop» o el botón «Power» para que el código deje de aparecer.2. Compruebe que la bandeja esté en su sitio.3. Si la bandeja está en su sitio y el código sigue apareciendo, podría ser un problema de la sonda, del panel de control, del panel eléctrico o del conector del cable. En este caso, contacte con un profesional para repararlo.

OH	El transistor IGBT o la bobina magnética se han sobrecalentado.	Pare el dispositivo y deje que se enfríe durante al menos 30 minutos.
PR_E	La sonda no se ha introducido correctamente en el alimento en el modo Neovide o en el modo Marinate Neovide.	<ol style="list-style-type: none"> 1. Pulse el botón «Start/Stop» o el botón «Power» para que el código deje de aparecer. 2. Compruebe que la sonda esté introducida correctamente en el alimento. 3. Si la sonda está en su sitio y el código sigue apareciendo, podría deberse a un daño en esta o a que el conector del cable esté suelto. En este caso, contacte con un profesional para repararlo.
Clos	La tapa está cerrada durante el modo Mild Sear.	Abra la tapa.
Open	La tapa está abierta durante el modo Neovide, Manual o Marinate Neovide.	Cierre la tapa.

Aviso: Si el problema no se resuelve con ninguna de las soluciones de arriba, contacte con un profesional.

CUMPLIMIENTO NORMATIVO

El logotipo de Residuos de Aparatos Eléctricos y Electrónicos (RAEE) presente en este producto o su documentación indica que el producto no se debe desechar como residuo doméstico. Con el fin de prevenir posibles daños a la salud humana o al medio ambiente, este producto se debe desechar en un punto autorizado de recogida de residuos. Para más información acerca de cómo desechar este producto correctamente, contacte con la autoridad local responsable de la gestión de residuos en su zona.



Todos los productos y piezas de The Space se han sometido a pruebas rigurosas con el fin de cumplir con los estándares y especificaciones establecidos por las autoridades internacionales, independientes y federales.

Los productos de The Space cuentan con las siguientes marcas de la UE:

Directiva de baja tensión 2014/35/UE

EN 60335-2-15:2016+A11:2018, junto con

EN 60335-1:2012 + AC:2014 + A11:2014 + A13:2017 +A1:2019 + A14:2019 + A2:2019

EN 62233:2008+AC:2008

Directiva de compatibilidad electromagnética 2004/108/CE

EN 55014-1:2006+A1:2009+A2:2011,

EN 55014-2:1997+A1:2001+A2:2008,

EN 61000-3-2:2006+A1:2009+A2:2009,

EN 61000-3-3:2013

Directiva RUSP 2011/65/UE

IEC 62321-3-1:2013 Ed. 1.0

IEC 62321-5:2013 Ed. 1.0

IEC 62321-4:2013 +AMD1:2017

IEC 62321-7-2:2017 Ed. 1.0

IEC 62321-7-1:2015 Ed. 1.0

IEC 62321-6:2015 Ed. 1.0

IEC 62321-8:2017 Ed. 1.0



INFORMACIÓN SOBRE LA GARANTÍA

Nuestros productos tienen una garantía limitada de 2 años. Se puede solicitar una sustitución por garantía en un plazo de 2 años a partir de la fecha de compra original. Para obtener una sustitución por garantía, usted debe:

- Haber adquirido el producto en los últimos 2 años.
- Conservar el número de pedido original o el correo electrónico que empleó durante la compra. Si se compró por reventa, a través de un socio comercial o en un sitio web diferente, debe proporcionar una copia de su recibo original.

** Envíenos un correo para solicitar el servicio de garantía: service@thespacetec.com **



LA TARJETA DE GARANTÍA DE THE SPACE

** Envíenos un correo para solicitar el servicio de garantía: service@thespacetec.com **

Nombre del cliente _____

Dirección _____

Ciudad/Estado o provincia/Código Postal _____

Número de teléfono _____

Correo electrónico _____

Fecha de compra original _____

Número de modelo del producto _____

Número de serie (Si procede) _____

Nombre del vendedor _____

Mode d'emploi

Table des matières

Précautions importantes	58
Caractéristiques.....	59
Votre Neovide	60
Panneau de commande	61
Conseils de cuisson	64
Comment utiliser votre Neovide.....	65
Sonde.....	65
Plateau d'égouttage.....	66
Avant l'utilisation.....	66
Mode Neovide.....	66
Mode Manual	68
Mode Marinade.....	69
Mode Marinade Neovide	70
Mode Mild Sear.....	71
Connexion à l'application	73
Comment se connecter au Wi-Fi	73
Comment utiliser l'app.....	76
Entretien et nettoyage	79
Dépannage.....	80
CONFORMITÉ.....	83
INFORMATIONS SUR LA GARANTIE	84

Précautions importantes

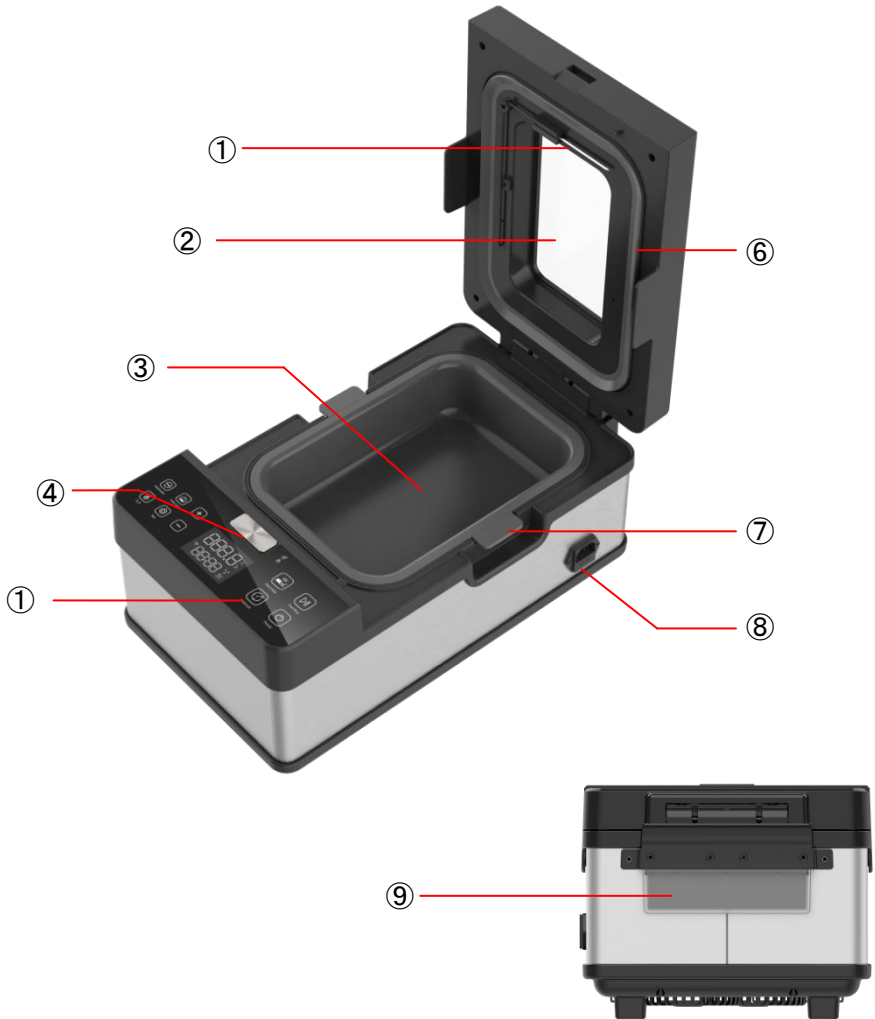
Lorsque vous utilisez ce produit, veuillez respecter systématiquement les consignes suivantes :

- Lisez le mode d'emploi avant d'utiliser le produit.
- Ne connectez l'appareil qu'à une tension de secteur correspondant à celle expressément indiquée sur l'étiquette de produit.
- Utilisez le produit sur une surface de travail sèche, stable et solide.
- Branchez le produit à une prise électrique intérieure, reliée à la terre et à un disjoncteur.
- Maintenez le cordon d'alimentation et la fiche au sec pour éviter les décharges électriques.
- Coupez le courant avant de déplacer ou de nettoyer le produit ou lorsqu'il est hors utilisation.
- Pour débrancher le cordon d'alimentation, saisissez la fiche et tirez dessus. Ne débranchez jamais le produit en tirant sur le cordon d'alimentation.
- N'utilisez pas le produit si le cordon d'alimentation ou la fiche sont endommagés.
- N'utilisez pas d'adaptateur multiprise ni de rallonge.
- Ne touchez pas les surfaces chaudes comme le couvercle, la cuve et la sonde lorsque le produit est en fonctionnement ou avant qu'il n'ait refroidi.
- Pour éviter toute blessure, ne touchez pas le bout de la sonde.
- Pour ne pas l'endommager, ne plongez pas la sonde dans l'eau lors du nettoyage de l'appareil.
- Lorsque le plateau est en place à l'intérieur de l'appareil, ne placez pas d'objets dans la cuve, et surtout pas d'objets métalliques.
- Conservez le produit hors de portée des enfants et des personnes dont les capacités physiques, sensorielles ou mentales sont réduites.
- Si le produit ne fonctionne pas correctement ou s'il est endommagé, cessez de l'utiliser. Pour l'inspection ou la maintenance, faites appel à des professionnels.
- Ce produit ne doit être utilisé qu'aux fins pour lesquelles il a été conçu.

Caractéristiques

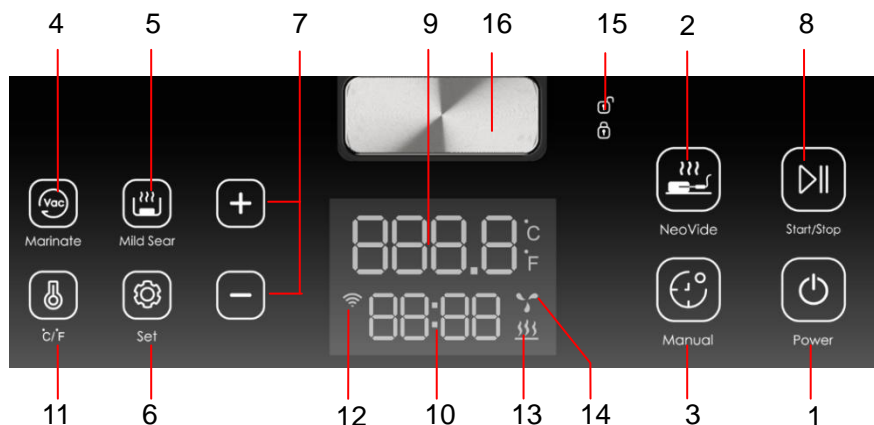
Modèle	NSV100		
Tension	États-Unis 110-120 V, 60 Hz	UE 220-240 V, 50 Hz	JP 100 V, 50/60 Hz
Puissance	700 W	650 W	620 W
Pression de la pompe à vide	-711 mbar \pm 10 %/-21" Hg \pm 10 %		
Débit	6 L/min \pm 15 %		
Capacité du plateau	3 L		
Dimensions de l'appareil	467 mm \times 263 mm \times 208 mm (18,4" \times 10,4" \times 8,2")		
Dimensions du plateau	260 mm \times 180 mm \times 65 mm (10,2" \times 7,1" \times 2,6")		
Gamme de températures (mode Neovide/Manual)	20-95 °C (68-203 °F)		
Minuteur (mode Manual)	00:05-99:59		
Gamme de températures (mode Mild Sear)	150-210 °C (302-410 °F)		
Minuteur (mode Mild Sear)	0:01-00:30		
Minuteur (mode Marinade)	0:05-00:50 (1-10 cycles, un cycle dure 5 min)		
Poids	8,1 kg (17,9 lb)		
Conditions de fonctionnement	Température : 5-35°C (41-95°F), humidité: \leq 85 %		
Connexion	Wi-Fi 802,11 b/g/n 2,4 GHz Bluetooth 5.0		
Apps	iOS / Android		

Votre Neovide



- ① Sonde ② Couverture ③ Plateau interne ④ Bouton du couvercle ⑤ Panneau de commande
⑥ Joint ⑦ Poignée du plateau ⑧ Port d'alimentation ⑨ Plateau d'égouttage

Panneau de commande



N°	Bouton/voyant	Description
1	Power	<ul style="list-style-type: none"> - Branchez l'appareil à la prise. Il est en mode économie d'énergie ; seul le bouton « Power » s'allume légèrement. - Appuyez sur le bouton « Power » pour passer en mode Stand by : le bouton « Neovide » est allumé et les autres boutons s'allument légèrement. - En mode Stand by ou pendant le fonctionnement, appuyez sur le bouton « Power » pour revenir au mode Économie d'énergie.
2	Neovide	<ul style="list-style-type: none"> - Appuyez sur ce bouton pour sélectionner le mode Neovide. L'icône s'allume. - Dans ce mode, il faut introduire la sonde au cœur de l'aliment à cuire. La température interne de l'aliment s'affiche sur l'écran.
3	Manual	<ul style="list-style-type: none"> - Appuyez sur ce bouton pour sélectionner le mode Manual (manuel). L'icône s'allume. - Dans ce mode, vous pouvez définir manuellement la durée et la température, sans avoir à utiliser la sonde.

4	Marinate	Appuyez sur le bouton pour sélectionner le mode Marinate (mariner). L'icône s'allume.
5	Mild Sear	Appuyez sur ce bouton pour sélectionner le mode Mild Sear (griller). L'icône s'allume.
6	Set	Définir les paramètres : après sélection du mode souhaité, vous pouvez définir la température ou la durée en appuyant sur le bouton « Set ». Lorsque le chiffre affiché clignote, appuyez le nombre de fois nécessaire sur « + » ou « - », ou maintenez ces touches appuyées pour régler la température et la durée. Consulter les paramètres : pendant l'opération, maintenez appuyé le bouton « Set » pendant environ 3 secondes pour vérifier la durée et la température. S'il n'y a pas d'opération dans le mode Paramètres, le chiffre affiché clignotera 10 fois puis l'appareil quittera automatiquement les paramètres.
7	+/-	Lorsque le chiffre affiché clignote, appuyez le nombre de fois nécessaire sur « + » ou « - », ou maintenez ces touches appuyées pour régler la température et la durée.
8	Start/Stop	Appuyez sur ce bouton pour démarrer l'appareil dans le mode sélectionné.
9	Affichage de la température	Affiche la température actuelle ou la température configurée.
10	Affichage de la durée	Affiche la durée en cours ou la durée configurée.
11	°C/°F	En mode Stand by, appuyez sur le bouton « °C/ °F » pour changer l'unité de température.
12	Voyant wi-fi	Le voyant wi-fi s'allume lorsque l'appareil est connecté à l'appareil mobile.
13	Voyant de chauffe	Lorsque ce voyant est allumé, cela veut dire que l'appareil est en train de chauffer.
14	Voyant de la pompe à vide	Lorsque ce voyant est allumé, cela veut dire que l'appareil est en train de procéder à la mise sous vide.
15	Verrouillé/Déverrouillé	Lorsque le voyant « Déverrouillé » est allumé, le couvercle peut être ouvert.

		Lorsque le voyant « Verrouillé » est allumé, cela veut dire que l'appareil est en fonctionnement et que l'ouverture du couvercle n'est pas autorisée. Si vous souhaitez ouvrir le couvercle, il faut arrêter l'appareil et l'ouvrir lorsque l'icône « Déverrouillé » est allumée.
16	Bouton du couvercle	Appuyez sur le bouton du couvercle pour l'ouvrir.
17	Rétablir les paramètres d'usine	En mode Stand by, maintenez appuyé en même temps le bouton « Mild Sear » et le bouton « Manual » pendant 3 secondes. Au bip, l'appareil passe en mode Neovide (la température affichée est de 60°C et le minuteur est sur 24:00). Vous pouvez maintenant relâcher les boutons. L'appareil est à présent aux paramètres d'usine.

Conseils de cuisson

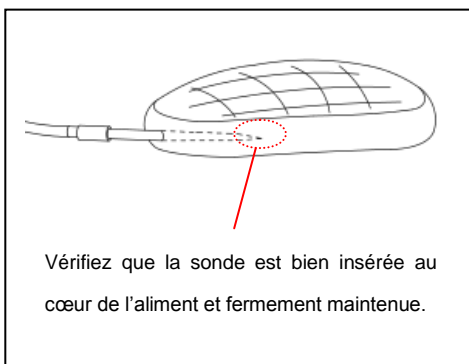
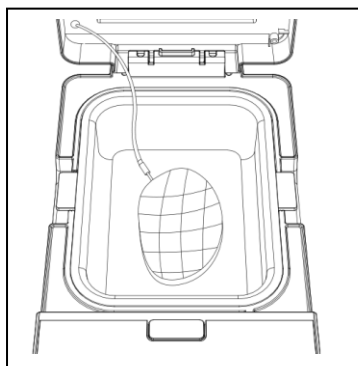
9. Pour les aliments ayant une forme normale (c'est à dire en tranches ou en morceaux comme le steak, les côtelettes de porc, les blancs de poulet, le saumon, etc.), il est recommandé d'utiliser le mode Neovide (avec la sonde). Placez les aliments au fond de la cuve et insérez la sonde fermement en leur cœur.
10. Pour les aliments dans lesquels il est compliqué d'insérer la sonde, il est recommandé d'utiliser le mode Manual. Dans ce mode, vous pouvez définir la durée et la température comme pour une cuisson sous vide traditionnelle, mais l'utilisation d'eau et de sacs est facultative, ce qui vous offre plus de flexibilité pour cuisiner.
11. Pour cuisiner des légumes, veuillez indiquer la durée et la température correspondantes. De la même manière que lors de la cuisson sous vide traditionnelle, certains légumes peuvent dégager du gaz et s'abîmer s'ils sont cuits trop longtemps.

Comment utiliser votre Neovide

Sonde

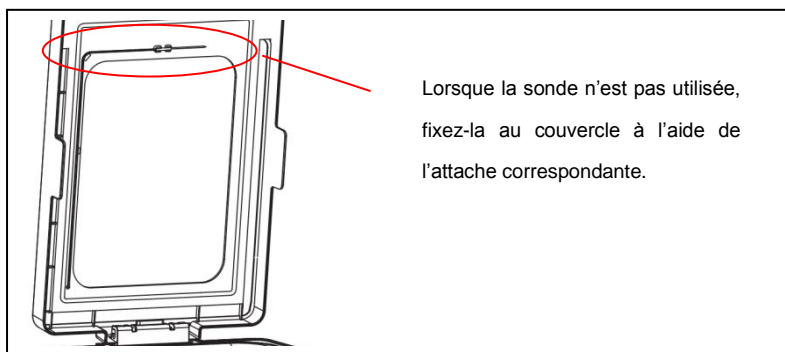
- En mode Neovide, la sonde doit être insérée au cœur de l'aliment.

Remarque : le capteur de température est situé au bout de la sonde (10 mm). Lorsque vous utilisez la sonde, vérifiez que cette partie est bien insérée au cœur de l'aliment. Pour une bonne insertion, il est recommandé de l'introduire par la tranche jusqu'au cœur. Lorsque l'insertion par la tranche est compliquée, vous pouvez aussi introduire la sonde par le dessus, mais en veillant à ce qu'elle parvienne au cœur de l'aliment et qu'elle soit fermement maintenue. Autrement la température détectée risque de ne pas être précise.



Vérifiez que la sonde est bien insérée au cœur de l'aliment et fermement maintenue.

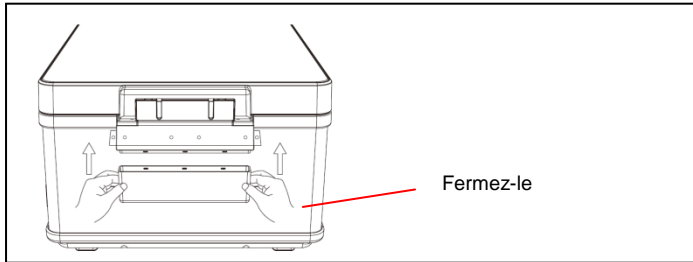
- Lorsque la sonde n'est pas utilisée, fixez-la au couvercle à l'aide de l'attache correspondante.



Lorsque la sonde n'est pas utilisée, fixez-la au couvercle à l'aide de l'attache correspondante.

Plateau d'égouttage

Situé à l'arrière de l'appareil, le plateau d'égouttage est destiné à recueillir le liquide produit lors du processus de cuisson.



Avant l'utilisation

- Branchez l'appareil à la prise. Il est en mode Économie d'énergie ; seul le bouton « Power » s'illumine légèrement.
- Appuyez sur le bouton « Power » pour entrer en mode Stand by, dans lequel le bouton « Neovide » s'allume et les autres boutons sont légèrement illuminés.
- Appuyez sur le bouton « °C/°F » pour changer l'unité de température. L'appareil enregistrera votre choix et utilisera cette unité par défaut la prochaine fois.

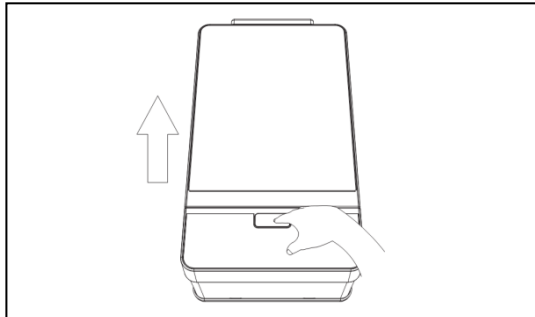
Mode Neovide

En mode Neovide, la sonde surveille et contrôle au plus près la température au cœur de l'aliment, pour une cuisson sous vide d'une grande précision. Pour utiliser ce mode, il suffit d'indiquer la température souhaitée, sans avoir besoin de définir le paramètre de durée. Vous pouvez tester différents paramètres de température pour créer vos propres plats uniques, en fonction de vos goûts et préférences.

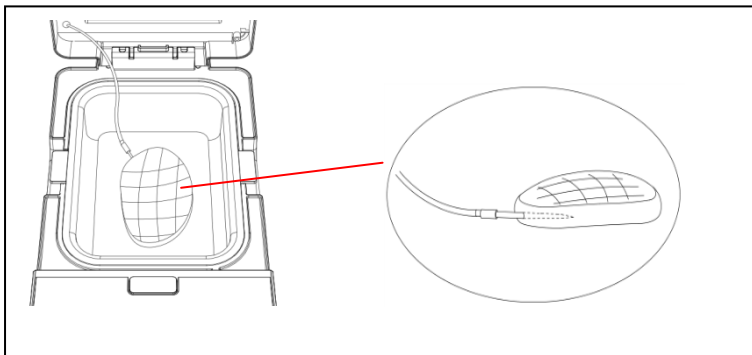
(Le mode Neovide est activé lorsque l'icône « Neovide » s'allume.)

1. Appuyez sur le bouton « Neovide » pour mettre l'appareil en mode Neovide. Dans ce mode, la sonde est utilisée et la température de l'aliment cuisiné est affichée.
2. Appuyez sur le bouton « Set » et réglez la température à l'aide de « + » et « - ».

3. Appuyez sur le bouton du couvercle pour l'ouvrir.



4. Placez l'aliment dans le plateau, détachez la sonde du couvercle et insérez-la dans l'aliment. Vérifiez que la sonde est bien insérée au cœur de l'aliment et fermement maintenue.



5. Fermez le couvercle et appuyez sur le bouton « Start/Stop ». L'appareil commence à faire le vide et à chauffer.

6. Lorsque la température définie est atteinte, l'appareil bipes et passe automatiquement en mode Maintien au chaud. Dans ce mode, la mention « Hold » est affichée en haut de l'écran et la durée écoulée en ce mode figure en bas de l'écran. Vous pouvez appuyer sur « Start/Stop » pour terminer.

Remarque : pendant les cinq premières minutes de ce mode, l'appareil bipes trois fois toutes les minutes.

7. Une fois le programme choisi terminé, le voyant « Déverrouillé » est allumé et le couvercle peut

être ouvert dès que souhaité.

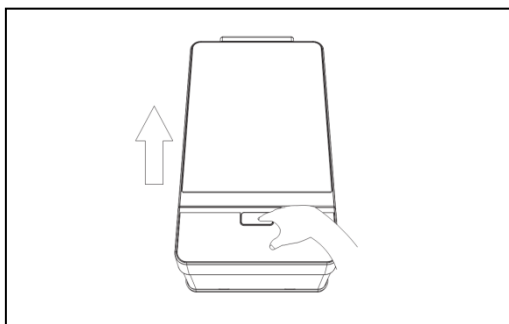
Remarque : le couvercle ne peut être ouvert que quand l'icône « Déverrouillé » est allumée. Pendant le fonctionnement, l'icône « Verrouillé » est allumée et l'ouverture du couvercle n'est pas possible. Si vous souhaitez ouvrir le couvercle, appuyez sur le bouton « Start/Stop » pour interrompre le fonctionnement.

Mode Manual

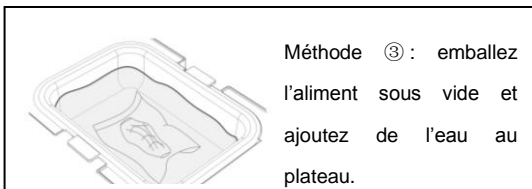
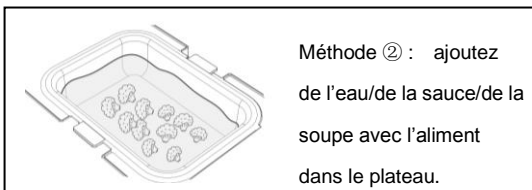
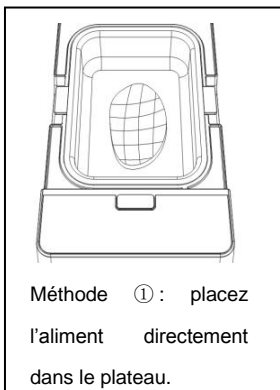
Pour les aliments qui ne permettent pas l'insertion de la sonde, comme les soupes, les œufs, les légumes à forme irrégulière, vous pouvez utiliser le mode Manual. Dans ce mode, vous pouvez définir la durée et la température comme pour une cuisson sous vide traditionnelle, mais l'utilisation d'eau et de sacs est facultative, ce qui vous offre plus de flexibilité pour cuisiner.

(Le mode Manual est activé lorsque l'icône « Manual » s'allume.)

1. Appuyez sur le bouton « Manual ».
2. Appuyez sur le bouton « Set » pour accéder aux paramètres et régler la température et la durée à l'aide de « + » et « - », lorsque le chiffre correspondant clignote.
3. Appuyez sur le bouton du couvercle pour l'ouvrir.



12. Choisissez la méthode de cuisson adaptée à l'aliment.



Remarque : si vous utilisez les méthodes ci-dessus, veuillez fixer la sonde avec l'attache et ne pas la plonger dans l'eau pour éviter de l'endommager.

5. Fermez le couvercle et appuyez sur le bouton « Start/Stop » pour démarrer la tâche.
6. Lorsqu'il atteint la température définie, l'appareil bipet et le compte à rebours est lancé.

Remarque : si vous voulez lancer le compte à rebours avant d'avoir atteint la température définie, réappuyez sur « Start/Stop » et il démarrera.

7. À la fin du compte à rebours, l'appareil bipet et entre automatiquement en mode Maintien au chaud.

Remarque : pendant les cinq premières minutes de ce mode, l'appareil bipet trois fois toutes les minutes.

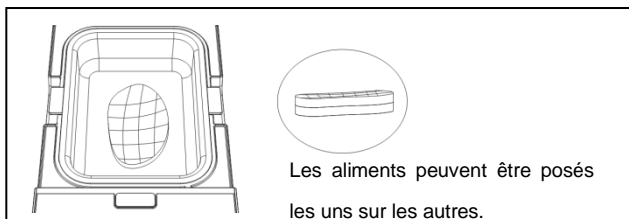
8. Lorsque la tâche est terminée, le voyant « Déverrouillé » est allumé et le couvercle peut être ouvert dès que souhaité.

Remarque : le couvercle ne peut être ouvert que quand le voyant « Déverrouillé » est allumé. Pendant le fonctionnement, l'icône « Verrouillé » est allumée et l'ouverture du couvercle n'est pas possible. Si vous souhaitez ouvrir le couvercle, appuyez sur le bouton « Start/Stop » pour interrompre le fonctionnement.

Mode Marinade

(Le mode Marinade (mariner) est activé lorsque l'icône « Marinade » s'allume.)

1. Appuyez sur le bouton « Marinade » et l'appareil passera en mode Marinade.
2. Appuyez sur le bouton « Set » et réglez la durée à l'aide de « + » et « - ».
3. Appuyez sur le bouton du couvercle pour l'ouvrir et placez l'aliment dans le plateau. Les aliments peuvent être posés les uns sur les autres.



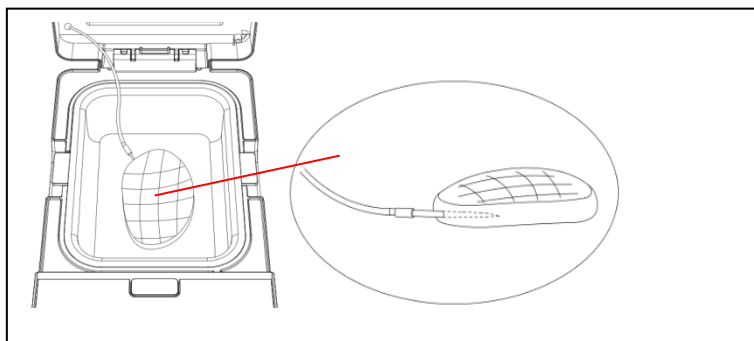
4. Fermez le couvercle et appuyez sur le bouton « Start/Stop ». L'appareil commence à mariner.
5. Lorsque la durée de marinade est écoulée et que le compte à rebours est à 0, l'appareil bipé trois fois.
6. Une fois la tâche terminée, l'icône « Déverrouillé » s'allume et vous pouvez appuyer sur le bouton du couvercle pour l'ouvrir et retirer l'aliment de l'appareil.

Remarque : le couvercle ne peut être ouvert que quand l'icône « Déverrouillé » est allumée. Pendant le fonctionnement, l'icône « Verrouillé » est allumée et l'ouverture du couvercle n'est pas possible. Si vous souhaitez ouvrir le couvercle, appuyez sur le bouton « Start/Stop » pour interrompre le fonctionnement.

Mode Marinade Neovide

(Le mode Marinade Neovide est activé lorsque les icônes « Marinade » et « Neovide » sont allumées.)

1. Appuyez sur les boutons « Marinade » et « Neovide » et l'appareil passera en mode Marinade Neovide. Dans ce mode, l'appareil commence par mariner, puis met l'aliment sous vide, en utilisant la sonde.
2. Appuyez sur le bouton « Set » pour accéder aux paramètres. Puis réglez la durée de marinage et la température de mise sous vide à l'aide de « + » et « - », lorsque le chiffre correspondant clignote.
3. Appuyez sur le bouton du couvercle pour l'ouvrir et placez l'aliment dans le plateau.
4. Détachez la sonde du couvercle et insérez-la dans l'aliment. Vérifiez que la sonde est bien insérée au cœur de l'aliment et fermement maintenue.



5. Fermez le couvercle et appuyez sur le bouton « Start/Stop ». L'appareil démarrera en mode Marinade puis passera en mode Neovide.
6. Lorsque la température définie est atteinte, l'appareil bipera et passera automatiquement en mode Maintien au chaud. Dans ce mode, la mention « Hold » est affichée en haut de l'écran et la durée écoulée en ce mode figure en bas de l'écran. Appuyez sur le bouton « Start/Stop » pour terminer.

Remarque : pendant les cinq premières minutes de ce mode, l'appareil bipera trois fois toutes les minutes.

7. Lorsque la tâche est terminée, l'icône « Déverrouillé » est allumée et le couvercle peut être ouvert dès que souhaité.

Remarque : le couvercle ne peut être ouvert que quand l'icône « Déverrouillé » est allumée. Pendant le fonctionnement, l'icône « Verrouillé » est allumée et l'ouverture du couvercle n'est pas possible. Si vous souhaitez ouvrir le couvercle, appuyez sur le bouton « Start/Stop » pour interrompre le fonctionnement.

Mode Mild Sear

(Le mode Mild Sear (griller) est activé lorsque l'icône « Mild Sear » s'allume.)

1. Ouvrez le couvercle.
2. Appuyez sur le bouton « Mild Sear » pour passer au mode Mild Sear (griller).
3. Appuyez sur le bouton « Set » et réglez la durée et la température en appuyant le nombre de fois nécessaire sur « + » ou « - » ou maintenez ces touches appuyées lorsque le chiffre correspondant clignote.

4. Appuyez sur le bouton « Start/Stop » pour commencer la cuisson.

Remarque : si la mention « Clos » s'affiche après avoir appuyé sur « Start/Stop », cela veut dire que le couvercle est fermé et que vous devez l'ouvrir pour commencer.

5. Avant d'ajouter de l'huile de cuisson, vérifiez que le plateau est sec.

6. Une fois la température définie atteinte, l'appareil bipera et le compte à rebours commence. Vous pouvez alors placer l'aliment dans le plateau et commencer à le griller. Pendant ce processus, vous pouvez retourner l'aliment au moment voulu.

Remarque : si vous souhaitez commencer à griller l'aliment avant d'avoir atteint la température définie, appuyez sur le bouton « Start/Stop » et l'appareil lancera le compte à rebours. Vous pouvez alors placer l'aliment dans l'appareil.

7. À la fin du compte à rebours, l'appareil bipera trois fois et la tâche est terminée.

Remarque : si le compte à rebours n'est pas terminé, appuyez sur le bouton « Start/Stop » et l'appareil se mettra en arrêt.

Connexion à l'application

Comment se connecter au Wi-Fi

3. Téléchargez l'app The Space :



- iOS : accédez à l'App Store et cherchez « The Space Sous Vide ». Téléchargez et installez l'application correspondant à l'icône ci-dessus.
- Android : accédez à Google Play et cherchez « The Space ». Téléchargez et installez l'application correspondant à l'icône ci-dessus.

2. Ouvrez l'application et créez votre compte. Connectez-vous à votre compte.

The screenshot shows the login screen of the 'The Space' app. The title 'The Space' is at the top, followed by the tagline 'Refresh your cooking space'. Below this are three main buttons: 'LOGIN', 'REGISTER', and 'Other Way'. The 'Other Way' section contains icons for Apple and Google. At the bottom left, there is a checkbox labeled 'I agree with the Terms of Use and Privacy Policy'. Red lines connect these elements to explanatory text on the right.

Si vous possédez déjà un compte, connectez-vous directement à celui-ci.

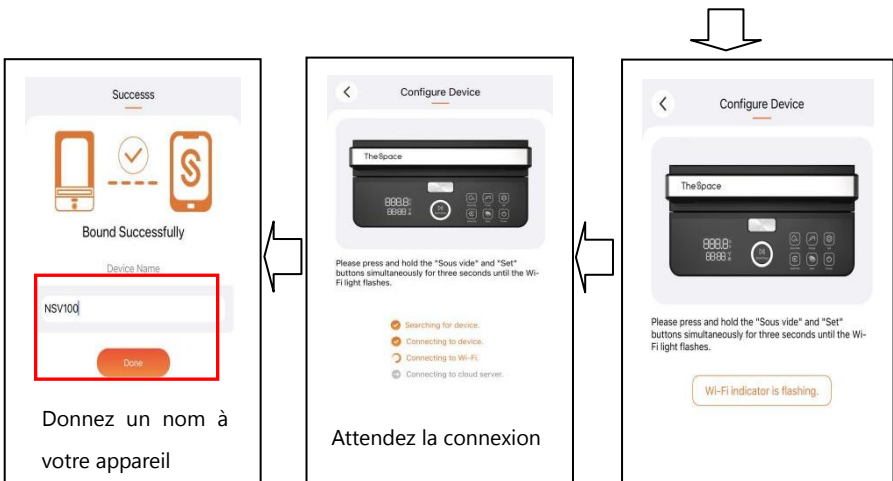
Si vous êtes un nouvel utilisateur, veuillez créer un compte.

Vous pouvez aussi vous connecter avec votre compte Apple ou Google.

Cochez la case.

3. Ajoutez votre appareil

Appuyez sur le bouton « + » ou « Add device » → Sélectionnez votre Wi-Fi et saisissez le mot de passe correspondant → Maintenez appuyés en même temps les boutons « Manual » et « Set », jusqu'à ce que le voyant Wi-Fi de l'affichage clignote → Attendez la connexion → Donnez un nom à votre appareil



Remarque : l'image du produit sur l'interface de l'app peut être différente, étant donné qu'il existe plusieurs modèles de produit. Mais cela n'affectera pas son fonctionnement ni ses

commandes.

****Partagez votre appareil :**

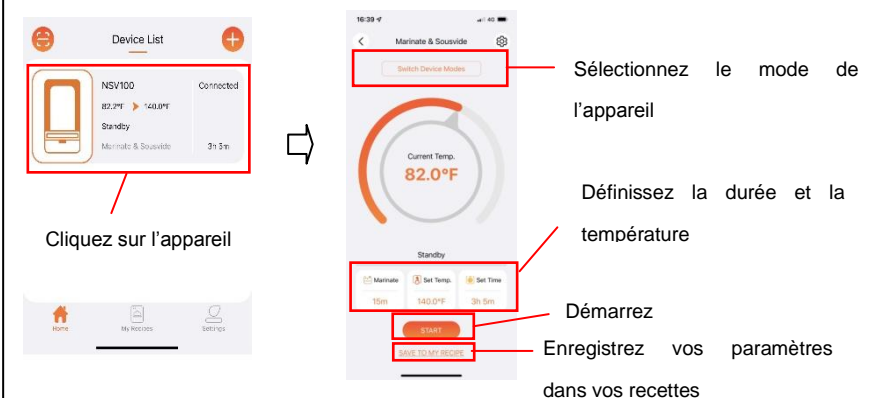
Vous pouvez partager votre appareil avec d'autres personnes dans l'app The Space. Accédez à la page Paramètres de l'appareil, cliquez sur « Share Device » et un code QR sera créé. Scannez ce code QR avec l'app The Space d'un autre utilisateur : accédez à la page d'accueil de l'app, cliquez sur l'icône en haut à gauche et scannez le code.



Comment utiliser l'app

1. Home (accueil) :

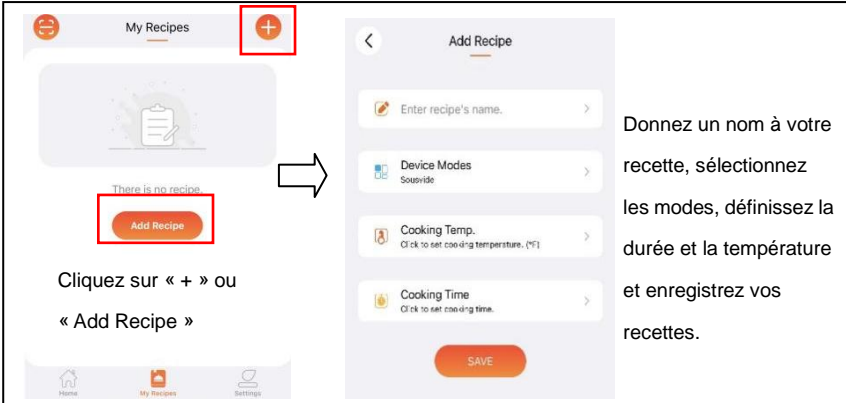
Choisissez le mode de l'appareil et définissez la durée et la température pour démarrer. Vos paramètres peuvent être enregistrés sous forme de recette pour de futures utilisations.



The image shows two screenshots from the app. The left screenshot displays the 'Device List' with a red box around the 'NSV100' device card, which is connected and in 'Standby' mode. A red arrow points to the card with the text 'Cliquez sur l'appareil'. The right screenshot shows the 'Marinate & Sousvide' settings screen. A red box highlights the 'Switch Device Modes' button at the top. Another red box highlights the 'Current Temp.' gauge set to 82.0°F and the 'Standby' section below it, which includes 'Marinate' (15m), 'Set Temp.' (140.0°F), and 'Set Time' (3h 5m). A red arrow points to the 'START' button with the text 'Démarez'. A final red box highlights the 'SAVE TODAY'S RECIPES' button at the bottom, with a red arrow pointing to it and the text 'Enregistrez vos paramètres dans vos recettes'.

2. My Recipes (mes recettes) :

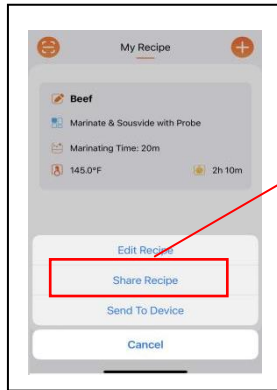
Vous pouvez personnaliser vos recettes et les enregistrer dans l'app. Si vous souhaitez réutiliser la recette, vous pouvez la transmettre directement à l'appareil.



The image shows two screenshots from the app. The left screenshot displays the 'My Recipes' screen with a red box around the '+' icon in the top right corner. Below the main area, which says 'There is no recipe', is a red box around the 'Add Recipe' button. A red arrow points to the button with the text 'Cliquez sur « + » ou « Add Recipe »'. The right screenshot shows the 'Add Recipe' form with four input fields: 'Enter recipe's name', 'Device Modes' (set to 'Sousvide'), 'Cooking Temp.' (with a note 'Click to set cooking temperature. [°F]'), and 'Cooking Time' (with a note 'Click to set cooking time.'). A red arrow points to the 'SAVE' button at the bottom with the text 'Donnez un nom à votre recette, sélectionnez les modes, définissez la durée et la température et enregistrez vos recettes.'

****Partagez votre recette :**

Vous pouvez créer un code QR pour votre recette. D'autres utilisateurs pourront scanner ce code QR pour accéder à la recette dans leur app.



Cliquez sur « Share Recipe » pour créer le code QR.

3. Settings (paramètres) :

Vous pouvez sélectionner °C ou °F comme unité de température.



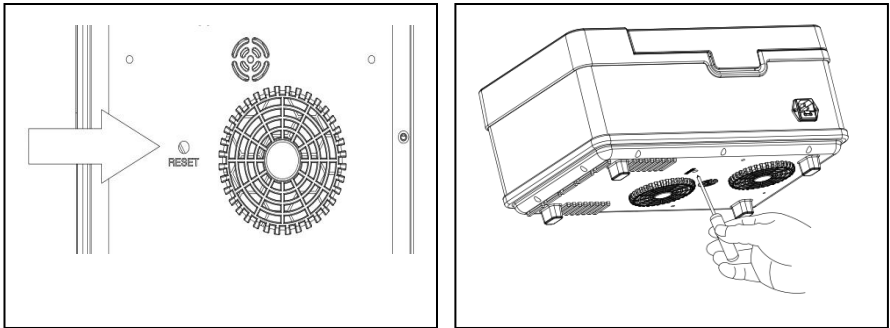
Entretien et nettoyage

- Avant l'entretien ou le nettoyage, coupez le courant.
- Nettoyez la surface de l'appareil avec un chiffon doux et de l'eau chaude.
- Après chaque utilisation, retirez le plateau et nettoyez-le. N'utilisez jamais d'éponges abrasives, car elles peuvent abîmer le revêtement du plateau. Après le nettoyage, replacez le plateau dans sa position d'origine.
- Lors du nettoyage de l'appareil, ne plongez pas la sonde dans l'eau. Cela risquerait de l'endommager.
- Avant chaque utilisation, vérifiez que le couvercle ou le joint d'étanchéité n'est pas cassé ou abîmé. Si c'est le cas, n'utilisez pas l'appareil.
- Ne placez pas d'objet chaud/pointu/lourd sur le couvercle, cela pourrait l'abîmer.
- Retirez régulièrement le plateau d'égouttage pour en vider le liquide et le nettoyer.
- L'appareil ne peut être démonté ou réparé que par des professionnels.
- Pour déplacer ou transporter l'appareil, gardez-le en position normale sur ses pieds.
- L'usine ne saurait être tenue responsable d'un quelconque dégât ou problème de qualité provoqué par une erreur de l'utilisateur ou par son non-respect des consignes de ce mode d'emploi.

Dépannage

L'appareil ne démarre pas

- Vérifiez que l'appareil est branché à la prise et qu'il est sous tension.
- Vérifiez que le cordon d'alimentation n'est pas abîmé. Si c'est le cas, n'utilisez pas l'appareil.
- Insérez un tournevis dans l'orifice RESET pour appuyer sur le bouton de réinitialisation « RESET » sous l'appareil, puis remettez l'appareil sous tension.



- Si la panne n'est due à aucune des raisons précédentes, veuillez consulter un professionnel de la maintenance (le panneau de commande est peut-être endommagé, le capuchon de connexion est mal fixé, etc.).

L'appareil ne fait pas le vide

- Veuillez vérifier que le joint d'étanchéité est correctement installé.
- Le tube de la pompe à vide est peut-être mal fixé, ce qui demande l'intervention d'un professionnel de la maintenance.
- Le panneau de commande, le panneau d'alimentation ou le capuchon de connexion sont peut-être mal fixés, ce qui demande l'intervention d'un professionnel de la maintenance.

L'appareil ne chauffe pas

- Vérifiez que le plateau est en place.
- Le panneau de commande, le panneau d'alimentation ou le capuchon de connexion sont peut-être

mal fixés, ce qui demande l'intervention d'un professionnel de la maintenance.

Le couvercle ne s'ouvre pas

- Lorsque l'icône « Verrouillé » est allumée, l'ouverture du couvercle n'est pas possible. Le couvercle ne peut être ouvert qu'une fois que l'icône « Déverrouillé » est allumée.
- Appuyez sur le bouton « Power » lorsque l'appareil est branché à la prise.
- Le capuchon de connexion ou la vanne électromagnétique sont peut-être mal fixés, ce qui demande l'intervention d'un professionnel de la maintenance.

La température et la durée affichées ne peuvent pas être réglées

- Le capuchon de connexion du panneau est peut-être mal fixé, ce qui demande l'intervention d'un professionnel de la maintenance.
- Le panneau de commande ou le panneau d'alimentation sont peut-être mal fixés, ce qui demande l'intervention d'un professionnel de la maintenance.

Connexion au Wi-Fi impossible

- Vérifiez qu'Internet fonctionne.
- Réallumez l'appareil et réessayez.
- Le module wi-fi est peut-être endommagé, ce qui demande l'intervention d'un professionnel de la maintenance.

Codes d'anomalie

Si les codes suivants sont affichés, veuillez suivre les consignes correspondantes pour régler le problème :

Code	Indication	Solution
LP	Défaut d'alimentation électrique pendant le dernier processus de cuisson.	Appuyez sur le bouton « START/STOP » pour supprimer l'affichage du code.
HF	L'appareil ne chauffe pas parce que le plateau n'est pas en place.	1. Appuyez sur le bouton « START/STOP » ou « Power » pour supprimer l'affichage du code. 2. Vérifiez que le plateau est en place. 3. Si le plateau est en place et que le code

		s'affiche encore, peut-être s'agit-il d'un problème de sonde, de panneau de commande, de panneau d'alimentation ou de capuchon de connexion. Dans ce cas, veuillez contacter un professionnel de la maintenance.
OH	Le transistor bipolaire à grille isolée ou la bobine magnétique sont en surchauffe.	Éteignez l'appareil et laissez-le refroidir pendant au moins 30 minutes.
PR_E	La sonde n'est pas correctement insérée dans l'aliment en mode Neovide ou Marinade Neovide.	<ol style="list-style-type: none"> 1. Appuyez sur le bouton « START/STOP » ou « Power » pour supprimer l'affichage du code. 2. Vérifiez que la sonde est bien insérée dans l'aliment à cuisiner. 3. Si la sonde est bien en place mais que le code s'affiche encore, peut-être la sonde est-elle abîmée ou le capuchon de connexion est-il mal fixé. Dans ce cas, veuillez contacter un professionnel de la maintenance.
Clos	Le couvercle est fermé en mode Mild Sear	Ouvrez le couvercle.
Open	Le couvercle est ouvert en mode Neovide, Manual ou Marinade Neovide.	Fermez le couvercle.

Remarque : si les conseils précédents ne permettent pas de résoudre votre problème, veuillez contacter un professionnel.

CONFORMITÉ

Le logo WEEE figurant sur ce produit ou dans les documents joints indique que le produit ne peut pas être éliminé avec les ordures ménagères. Pour éviter tout risque éventuel pour la santé humaine ou l'environnement, le produit doit être jeté dans un point de collecte autorisé. Pour en savoir plus sur la bonne élimination de ce produit, veuillez contacter les autorités locales en charge de la gestion des déchets.



Les pièces de The Space ont été soumises à des tests produit stricts afin de garantir leur conformité avec les normes et spécifications établies par les autorités internationales, indépendantes et fédérales.

Les produits de The Space ont obtenu les labels de l'Union européenne suivants :

Directive basse tension 2014/35/UE

EN 60335-2-15:2016+A11:2018 utilisée en alliance avec

EN 60335-1:2012 + AC:2014 + A11:2014 + A13:2017 +A1:2019 + A14:2019 + A2:2019

EN 62233:2008+AC:2008

Directive 2004/108/CE concernant la compatibilité électromagnétique

EN 55014-1:2006+A1:2009+A2:2011,

EN 55014-2:1997+A1:2001+A2:2008,

EN 61000-3-2:2006+A1:2009+A2:2009,

EN 61000-3-3:2013



Directive 2011/65/UE relative à la limitation de l'utilisation de certaines substances dangereuses dans les équipements électriques et électroniques médicamenteux (RoHS selon son sigle en anglais)

IEC 62321-3-1:2013 Ed. 1.0

IEC 62321-5:2013 Ed. 1.0

IEC 62321-4:2013 +AMD1:2017

IEC 62321-7-2:2017 Ed. 1.0

IEC 62321-7-1:2015 Ed. 1.0

IEC 62321-6:2015 Ed. 1.0

IEC 62321-8:2017 Ed. 1.0



INFORMATIONS SUR LA GARANTIE

Notre produit est couvert par une garantie de 2 ans. Les remplacements au titre de la garantie peuvent avoir lieu dans les 2 ans suivant la date d'achat d'origine. Pour pouvoir bénéficier d'un remplacement au titre de la garantie, vous devez :

- Avoir acheté le produit au cours des 2 années précédentes.
- Être en mesure de fournir le numéro de commande d'origine ou l'adresse e-mail utilisée lors de votre achat. Si le produit a été acheté via un revendeur, un distributeur partenaire ou sur un autre site web, il vous faudra produire une copie de votre ticket ou reçu d'origine.

** Pour demander le service de garantie, veuillez nous contacter par e-mail à : service@thespacetec.com **



BON DE GARANTIE DE THE SPACE

** Pour demander le service de garantie, veuillez nous contacter par e-mail à :
service@thespacetec.com **

Nom du client _____

Adresse _____

Ville/État/Code postal _____

Numéro de téléphone _____

Adresse e-mail _____

Date de l'achat d'origine _____

N° du modèle de produit _____

N° de série (le cas échéant) _____

Nom du vendeur _____

Bedienungsanleitung

Inhalt

Wichtige Sicherheitsvorkehrungen	87
Technische Angaben.....	88
Machen Sie sich mit Ihrem Neovide vertraut	89
Bedienfeld.....	90
Kochanleitung	93
Die Benutzung Ihres Neovide.....	94
Lebensmittelsonde	94
Abtropfschale	95
Vor der Benutzung	95
Neovide-Modus.....	95
Manueller Modus	97
Marinier-Modus.....	99
Modus Marinade Neovide	99
Sanft-anbraten-Modus.....	101
Verbinden mit der App	102
So stellen Sie die WLAN-Verbindung her.....	102
So verwenden Sie die App.....	105
Pflege und Reinigung	107
Fehlerbehebung	108
VORSCHRIFTEN UND ZULASSUNGEN	111
INFORMATIONEN ZUR GARANTIE.....	112

Wichtige Sicherheitsvorkehrungen

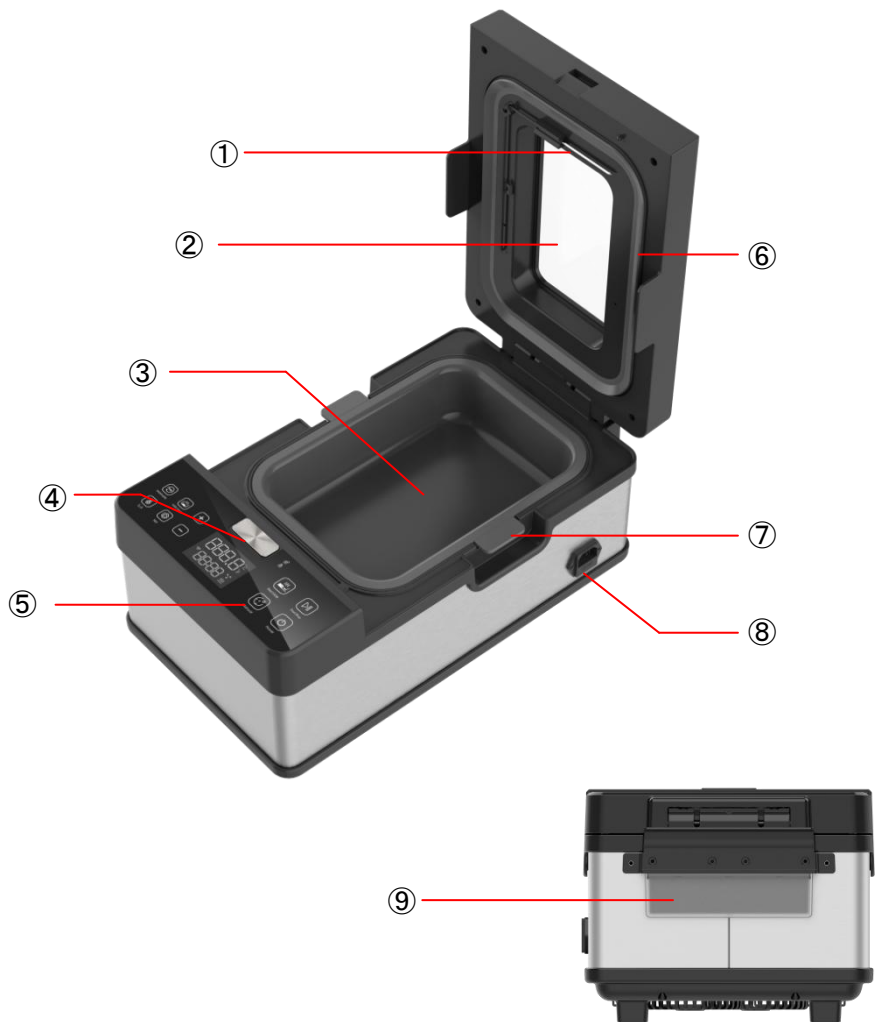
Benutzen Sie dieses Produkt bitte stets gemäß den Sicherheitsvorschriften:

- Lesen Sie vor der Benutzung des Produkts die Bedienungsanleitung.
- Schließen Sie das Gerät ausschließlich an Stromanschlüsse mit dem auf dem Produktschild angegebenen Nennspannung an.
- Benutzen Sie das Gerät auf einer trockenen, stabilen und festen Oberfläche.
- Schließen Sie das Gerät an eine geerdete Innensteckdose mit Schutzschalter an.
- Halten Sie Kabel und Stecker trocken, um Stromschläge zu vermeiden.
- Trennen Sie das Gerät vom Stromnetz, ehe sie es bewegen oder reinigen beziehungsweise wenn Sie es nicht benutzen.
- Zum Trennen vom Stromnetz ziehen Sie den Stecker aus der Steckdose. Ziehen Sie niemals am Kabel.
- Betreiben Sie das Gerät nicht, wenn Stecker oder Kabel beschädigt sind.
- Verwenden Sie keine Mehrfachsteckdosen oder Verlängerungskabel.
- Berühren Sie im Betrieb nicht die heißen Teile wie Abdeckung, Garbehälter oder Sonde und lassen Sie es vorher abkühlen.
- Berühren Sie nicht die Spitze der Sonde, denn es besteht Verletzungsgefahr.
- Tauchen Sie die Sonde beim Reinigen des Geräts nicht unter Wasser, sie könnte Schaden nehmen.
- Es dürfen sich keine sonstigen Objekte in der Kammer befinden, in welche der Gareinsatz eingesetzt wird – schon gar keine Metallgegenstände.
- Halten Sie das Gerät außer Reichweite von Kindern und von Personen mit eingeschränkten körperlichen, sensorischen oder geistigen Fähigkeiten.
- Wenn das Produkt nicht einwandfrei funktioniert oder beschädigt wurde, verwenden Sie es nicht weiter. Wenden Sie sich für Inspektion und Wartung an professionelles Personal.
- Das Produkt ist nur für die angegebenen Verwendungszwecke vorgesehen.

Technische Angaben

Modell	NSV100		
Stromversorgung	USA 110–120 V, 60 Hz	EU 220–240 V, 50 Hz	JP 100V, 50/60Hz
Leistung	700 W	650 W	620 W
Unterdruck Vakuumpumpe	–711mbar±10 % / –21"Hg±10%		
Durchsatz	6L/min±15 %		
Fassungsvermögen Gareinsatz	3L		
Abmessungen Gehäuse	467 mm x 263 mm x 208 mm (18,4" x 10,4" x 8,2")		
Abmessungen Gareinsatz	260 mm x 180 mm x 65 mm (10,2" x 7,1" x 2,6")		
Temperaturspanne (Neovide/Manueller Modus)	20–95 °C (68–203 °F)		
Timer (Manueller Modus)	00:05–99:59		
Temperaturspanne (Sanft-anbraten Modus)	150–210 °C (302–410 °F)		
Timer (Sanft-anbratenModus)	0:01–00:30		
Timer (Marinier-Modus)	0:05–00:50 (1–10 Zyklen, pro Zyklus jeweils 5 min)		
Gewicht	8,1 kg (17,9 lb)		
Umgebungsbedingungen für den Betrieb	Temperatur: 5–35 °C (41–95 °F), Luftfeuchtigkeit: ≤85 %		
Konnektivität	WLAN 802,11 b/g/n 2,4 GHz Bluetooth 5.0		
Apps	iOS / Android		

Machen Sie sich mit Ihrem Neovide vertraut

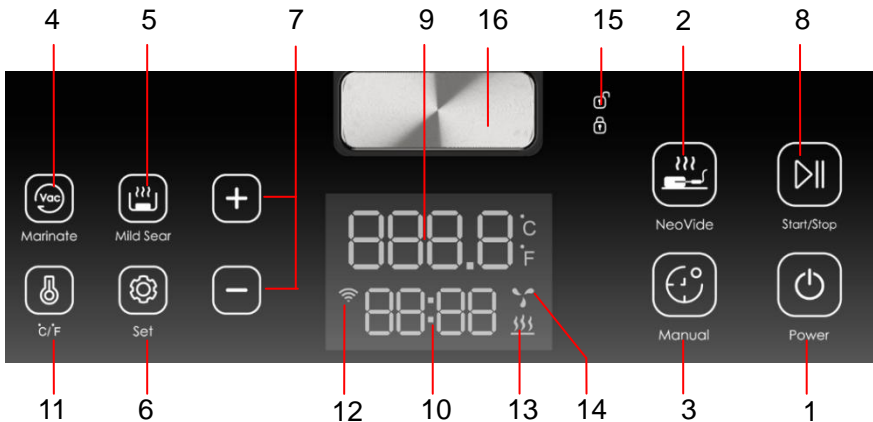


① Lebensmittelsonde ② Abdeckung ③ Gareinsatz ④ Taste zum Öffnen der Abdeckung

⑤ Bedienfeld

⑥ Dichtung ⑦ Griffe des Gareinsatzes ⑧ Stromversorgungsbuchse ⑨ Abtropfschale

Bedienfeld



Nr.	Schalter/Anzeige	Beschreibung
1	Power	<ul style="list-style-type: none"> - Bei eingestecktem Stromversorgungskabel ist das Gerät im Energiesparmodus und lediglich die Ein/Aus-Taste „Power“ leuchtet schwach. - Durch Drücken der „Power“-Taste wechseln Sie in den Standby- oder Bereitschaftsmodus und es leuchtet die Anzeige „NeoVide“ auf, während alle anderen Tasten schwach leuchten. - Wenn Sie im Standby-Modus erneut die „Power“-Taste drücken, geht das Gerät wieder in den Energiesparmodus.
2	Neovide	<ul style="list-style-type: none"> - Durch Drücken dieser Taste wechseln Sie in den Neovide-Modus. Das Symbol leuchtet auf. - In diesem Modus führen Sie die Sonde in die Speise ein. Das Display zeigt daraufhin die Innentemperatur der Speise an.

3	Manual	<ul style="list-style-type: none"> - Mit dieser Taste wählen Sie den manuellen Modus. Das Symbol leuchtet auf. - In diesem Modus können Sie Zeit und Temperatur manuell einstellen und Sie brauchen die Sonde nicht zu benutzen.
4	Marinate	Durch Drücken dieser Taste wählen Sie den Marinier-Modus. Das Symbol leuchtet auf.
5	Mild Sear	Durch Drücken dieser Taste wählen Sie den Modus für sanftes Anbraten. Das Symbol leuchtet auf.
6	Set	<p>Hier finden Sie die Einstellungen: Wenn Sie den gewünschten Modus gewählt haben, stellen Sie mit der „Set“-Taste Temperatur oder Zeit ein. Wenn die Ziffern auf dem Display blinken, drücken Sie zum Einstellen entweder jeweils kurz die Tasten „+“ oder „-“, oder halten Sie diese gedrückt.</p> <p>Abrufen der Einstellungen: Wenn Sie die Taste „Set“ während des Betriebs 3 Sekunden lang gedrückt halten, werden Ihnen die eingestellte Temperatur und Zeit angezeigt.</p> <p>Wenn kein Betriebsmodus ausgewählt ist, blinkt die Zahl auf dem Display 10 Mal auf, ehe das Gerät automatisch die Einstellungen verlässt.</p>
7	+/-	Wenn die Ziffer auf dem Display blinkt, verstellen Sie Temperatur oder Zeit, indem Sie die Tasten „+“ oder „-“ entweder antippen oder sie gedrückt halten.
8	Start/Stop	Mit dieser Taste starten Sie das Gerät im ausgewählten Modus.
9	Temperaturanzeige	Hier wird die aktuelle oder die eingestellte Temperatur angezeigt.
10	Zeitanzeige	Hier wird die aktuelle oder die eingestellte Zeit angezeigt.
11	°C/°F	Im Bereitschaftsmodus können Sie durch Drücken dieser Taste zwischen den Temperatureinheiten hin- und herwechseln.
12	WLAN-Anzeige	Die WLAN-Anzeige leuchtet, wenn das Gerät mit der Mobil-App verbunden ist.
13	Heizanzeige	Wenn diese Anzeige leuchtet, heizt das Gerät auf.

14	Anzeige der Vakuumpumpe	Wenn diese Anzeige leuchtet, erzeugt das Gerät ein Vakuum.
15	Verriegelt/Entriegelt	Wenn die Anzeige „Entriegelt“ leuchtet, kann die Abdeckung geöffnet werden. Wenn die Anzeige „Verriegelt“ leuchtet, ist das Gerät in Betrieb und die Abdeckung kann nicht geöffnet werden. Zum Öffnen der Abdeckung müssen Sie das Gerät stoppen und warten, bis das „Entriegelt“-Symbol des offenen Vorhängeschlosses leuchtet.
16	Taste zum Öffnen der Abdeckung	Zum Öffnen der Abdeckung drücken Sie diese Taste.
17	Voreinstellungen wiederherstellen	Halten Sie im Standby-Modus gleichzeitig die Tasten „Mild Sear“ und „Manual“ drei Sekunden lang gedrückt. Wenn der Pfeifton ertönt, schaltet das Gerät in den Neovide-Modus (als Temperatur wird 60 °C angezeigt und der Timer steht auf 24:00) und Sie können die Tasten loslassen. Nun sind die werkseitigen Voreinstellungen für das Gerät eingestellt.

Kochanleitung

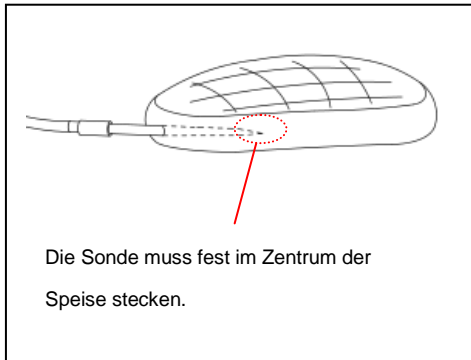
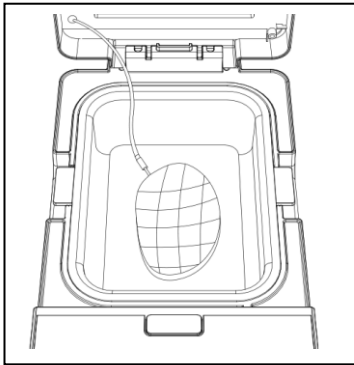
13. Für Speisen mit gleichmäßiger Form (wie etwa Scheiben oder Stücken wie Steaks, Schweinekoteletts, Hühnerbrust, Lachs usw.) empfehlen wir den Neovide-Modus (mit Sonde). Legen Sie die Speise auf den Boden des Gareinsatzes und führen Sie die Sonde tief in das Zentrum der Speise ein.
14. Für Speisen, in die sich die Sonde nur schwer einführen lässt, wird der manuelle Modus empfohlen. In diesem Modus stellen Sie Zeit und Temperatur wie bei einem traditionellen Sous Vide ein, wobei die Verwendung von Wasser und Beuteln jedoch optional ist. Das gibt Ihnen mehr Flexibilität beim Kochen.
15. Wählen Sie für das Garen von Gemüse bitte eine geeignete Zeit und Temperatur. Wie bei traditionellem Sous-Vide-Garen gilt: Manche Gemüse setzen Gas frei und verderben daher, wenn man sie zu lange im Vakuum gart.

Die Benutzung Ihres Neovide

Lebensmittelsonde

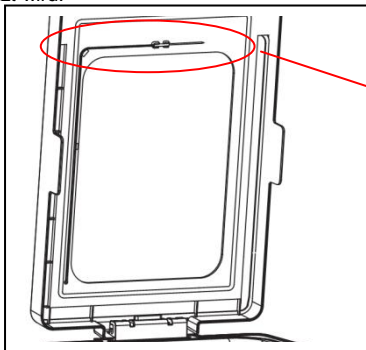
- Im Neovide-Modus muss die Lebensmittelsonde in das Zentrum der Speise eingeführt werden.

Hinweis: Die Spitze der Sonde (10 mm) ist der Temperatursensor. Wenn Sie die Sonde benutzen, muss dieser Bereich im Zentrum der Speise stecken. Wir empfehlen, die Sonde von der Seite her bis ins Zentrum der Speise einzuführen, damit sie fest sitzt. Wenn dies unzweckmäßig ist, kann sie auch von der Oberseite der Speise her eingeführt werden, doch vergewissern Sie sich, dass sie im Zentrum steckt und fest sitzt. Andernfalls kann eine falsche Temperatur angezeigt werden.



Die Sonde muss fest im Zentrum der Speise stecken.

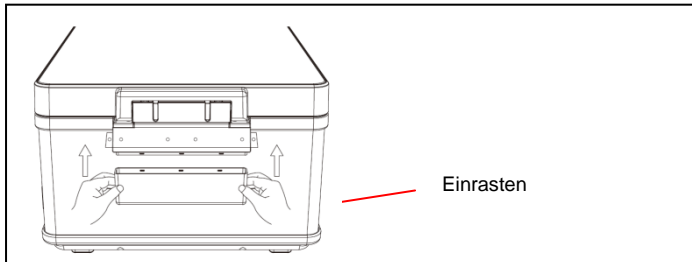
- Befestigen Sie die Lebensmittelsonde in ihrer Halterung unter der Abdeckung, wenn sie nicht benutzt wird.



Befestigen Sie die Lebensmittelsonde in ihrer Halterung unter der Abdeckung, wenn sie nicht benutzt wird.

Abtropfschale

Die Abtropfschale wird hinten am Gerät angesetzt. Hier wird die beim Garen anfallende Flüssigkeit aufgefangen.



Vor der Benutzung

- Stromversorgungskabel einstecken. Nun ist das Gerät im Energiesparmodus und lediglich die Ein/Aus-Taste „Power“ leuchtet schwach.
- Durch Drücken der „Power“-Taste wechseln Sie in den Standby- oder Bereitschaftsmodus und es leuchtet die Anzeige „Neovide“ auf, während alle anderen Tasten schwach leuchten.
- Nun können Sie durch Drücken der Taste „°C/°F“ zwischen den Temperatureinheiten hin- und herwechseln. Das Gerät speichert Ihre Auswahl und wird die gewählte Temperatureinheit beim nächsten Gebrauch automatisch benutzen.

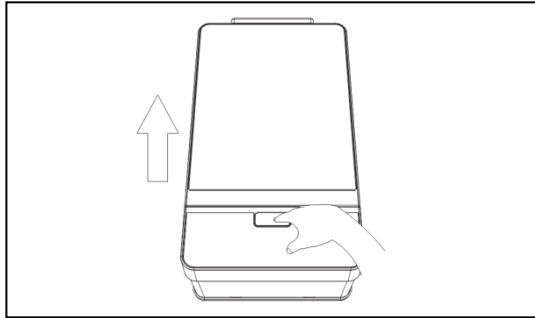
Neovide-Modus

Im Neovide-Modus überwacht und steuert die Sonde die Temperatur im Kern der Speise. So erreichen Sie ein präzises Sous-Vide-Garen. Um diesen Modus zu verwenden, stellen Sie einfach die Zieltemperatur ein, die Zeit hingegen brauchen Sie nicht einzustellen. Sie können mit verschiedenen Temperatureinstellungen experimentieren und so gemäß Ihren Vorlieben individuell Ihre eigenen Rezepte entwickeln.

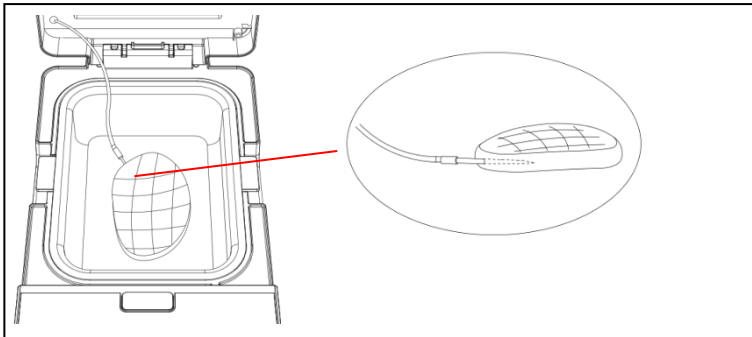
(Im Neovide-Modus leuchtet das „Neovide“-Symbol.)

1. Drücken Sie die „Neovide“-Taste, um in den Neovide-Modus zu wechseln. In diesem Modus wird die Sonde verwendet und die Temperatur der Speise wird angezeigt.
2. Drücken Sie die Taste „Set“ und stellen Sie mit „+“ und „-“ die Temperatur ein.

3. Zum Öffnen der Abdeckung drücken Sie diese Taste.



4. Legen Sie die Speise in den Gareinsatz, entnehmen Sie die Sonde ihrer Halterung in der Abdeckung und führen Sie sie in die Speise ein. Die Sonde muss fest im Zentrum der Speise stecken.



5. Schließen Sie die Abdeckung und drücken Sie die Taste „Start/Stop“

6. Sobald die eingestellte Temperatur erreicht ist, piepst das Gerät und es schaltet sich automatisch in den „Warmhalte“-Modus. In diesem Modus zeigt die obere Anzeige „Hold“ an, die untere Anzeige die Warmhaltezeit. Durch Drücken von „Start/Stop“ beenden Sie den Arbeitsvorgang.

Hinweis: Im Verlauf der ersten fünf Minuten in diesem Modus piepst das Gerät nach jeder Minute jeweils drei Mal.

7. Wenn das eingestellte Programm ausgeführt ist, leuchtet das Schlosssymbol für „Entriegelt“ auf

und die Abdeckung lässt sich jederzeit öffnen.

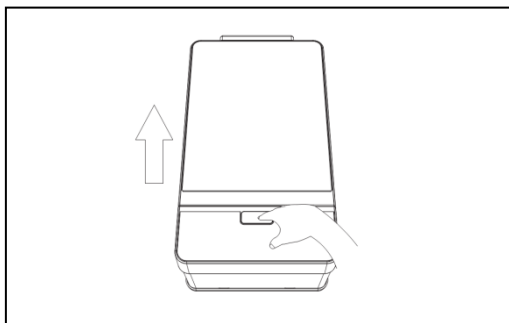
Hinweis: Die Abdeckung lässt sich nur öffnen, wenn das Schlosssymbol für „Entriegelt“ leuchtet. Während des Betriebs leuchtet das geschlossene Schloss für „Verriegelt“. Jetzt darf die Abdeckung nicht geöffnet werden. Wenn Sie die Abdeckung dennoch öffnen möchten, drücken Sie zunächst auf „Start/Stop“, um den Betrieb zu unterbrechen.

Manueller Modus

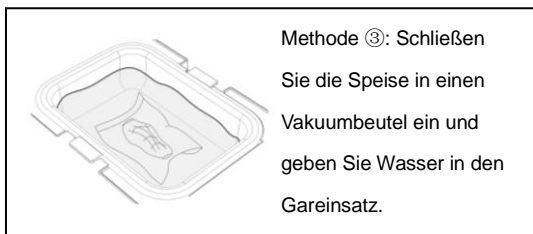
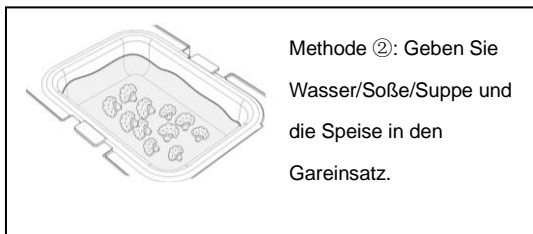
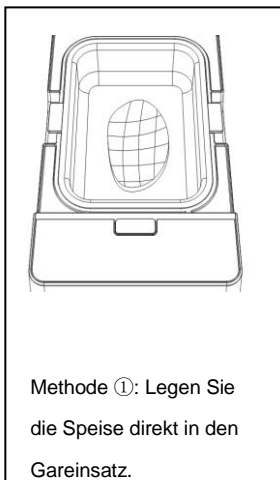
Es gibt Speisen, in die sich die Temperatursonde nicht einführen lässt. Das gilt etwa für Suppen, Eier, und unregelmäßig geformtes Gemüse. In solchen Fällen benutzen Sie den manuellen Modus. In diesem Modus stellen Sie Zeit und Temperatur wie bei einem traditionellen Sous Vide ein, wobei die Verwendung von Wasser und Beuteln jedoch optional ist. Das gibt Ihnen mehr Flexibilität beim Kochen.

(Der Manuelle Modus ist aktiviert, wenn das Symbol „Manual“ leuchtet.)

1. Drücken Sie die Taste „Manual“.
2. Drücken Sie die Taste „Set“, um die Einstellungen vorzunehmen, und wählen Sie dann mit den Tasten „+“ und „-“ die Temperatur ein, wenn die entsprechenden Ziffern im Display blinken.
3. Zum Öffnen der Abdeckung drücken Sie diese Taste.



16. Auswahl des geeigneten Garmodus für jede Speise.



Hinweis: Wenn Sie die hier abgebildeten Methoden verwenden, stecken Sie die Sonde bitte in ihre Cliphalterung an der Abdeckung. Tauchen Sie sie nicht in die Flüssigkeit im Gareinsatz, da sie beschädigt werden könnte.

- Schließen Sie die Abdeckung und drücken Sie die Taste „Start/Stop“, um den Vorgang zu starten.
- Wenn die eingestellte Temperatur erreicht ist, ertönt ein Piepstön und der Countdown beginnt.

Hinweis: Wenn Sie möchten, dass der Countdown vor dem Erreichen der eingestellten Temperatur beginnt, drücken Sie zum gewünschten Zeitpunkt erneut die Taste „Start/Stop“ und der Countdown beginnt.

- Wenn der Countdown endet, piepst das Gerät erneut und wechselt automatisch in den Warmhalte-Modus.

Hinweis: Im Verlauf der ersten fünf Minuten im Warmhalte-Modus piepst das Gerät nach jeder Minute jeweils drei Mal.

- Wenn die Aufgabe abgeschlossen ist, leuchtet das Symbol für „Entriegelt“ auf und die Abdeckung lässt sich jederzeit öffnen.

Hinweis: Die Abdeckung lässt sich nur öffnen, wenn das Schlosssymbol für „Entriegelt“ leuchtet. Während des Betriebs leuchtet das geschlossene Schloss für

„Verriegelt“. Jetzt darf die Abdeckung nicht geöffnet werden. Wenn Sie die Abdeckung dennoch öffnen möchten, drücken Sie zunächst auf „Start/Stop“, um den Betrieb zu unterbrechen.

Marinier-Modus

(Der Marinier-Modus ist aktiviert, wenn das Symbol „Marinate“ leuchtet.)

1. Durch Drücken der Taste „Marinate“ versetzen Sie das Gerät in den Marinier-Modus.
2. Drücken Sie die Taste „Set“ und stellen Sie mit den Tasten „+“ und „-“ die Zeit ein.
3. Öffnen Sie die Abdeckung durch Drücken der Taste und legen Sie die Speise in den Gareinsatz. Die Speisen können gestapelt werden.



4. Schließen Sie die Abdeckung und drücken Sie die Taste „Start/Stop“. Das Gerät beginnt daraufhin mit dem Marinieren.
5. Wenn die eingestellte Zeit für das Marinieren bis auf 0 abgelaufen ist, piepst das Gerät drei Mal.
6. Wenn die Aufgabe beendet ist, leuchtet das Symbol für „Entsperrt“ auf und Sie können die Taste zum Öffnen der Abdeckung drücken, um die Speisen herauszunehmen.

Hinweis: Die Abdeckung lässt sich nur öffnen, wenn das Schlosssymbol für „Entriegelt“ leuchtet. Während des Betriebs leuchtet das geschlossene Schloss für „Verriegelt“. Jetzt darf die Abdeckung nicht geöffnet werden. Wenn Sie die Abdeckung dennoch öffnen möchten, drücken Sie zunächst auf „Start/Stop“, um den Betrieb zu unterbrechen.

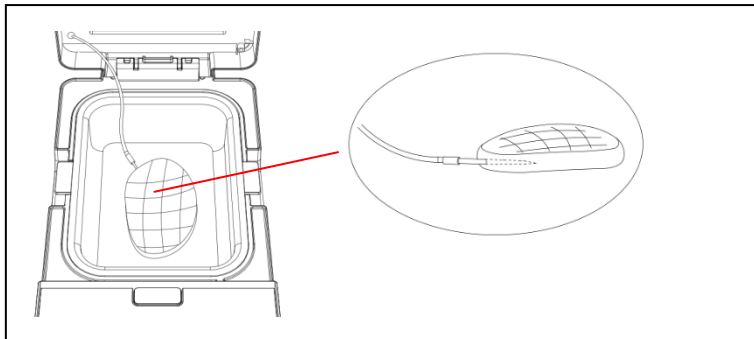
Modus Marinare Neovide

(Im Modus Marinare Neovide leuchten die Symbole „Marinate“ und „Neovide“.)

1. Durch Drücken der Tasten „Marinate“ und „Neovide“ versetzen Sie das Gerät in den Modus

Marinate Neovide. In diesem Modus beginnt das Gerät zunächst zu marinieren, danach erfolgt die Sous-Vide-Garung mit Sonde.

2. Drücken Sie die Taste „Set“ und stellen Sie mit den Tasten „+“ und „-“ jeweils dann die Zeit für das Marinieren und die Temperatur für das Sous-Vide-Garen ein, wenn die entsprechenden Ziffern blinken.
3. Öffnen Sie die Abdeckung durch Drücken der Taste und legen Sie die Speise in den Gareinsatz.
4. Nehmen Sie die Sonde aus ihrer Halterung an der Abdeckung und stecken Sie sie in die Speise. Die Sonde muss fest im Zentrum der Speise stecken.



5. Schließen Sie die Abdeckung und drücken Sie die Taste „Start/Stop“. Das Gerät beginnt nun zunächst im Marinier-Modus und wechselt dann in den Neovide-Modus.
6. Sobald die eingestellte Temperatur erreicht ist, piepst das Gerät und es schaltet sich automatisch in den „Warmhalte“-Modus. In diesem Modus zeigt die obere Anzeige „Hold“ an, die untere Anzeige die Warmhaltezeit. Zum Beenden des Arbeitsgangs drücken Sie auf „Start/Stop“.

Hinweis: Im Verlauf der ersten fünf Minuten im Warmhalte-Modus piepst das Gerät nach jeder Minute jeweils drei Mal.

7. Wenn die Aufgabe abgeschlossen ist, leuchtet das Symbol für „Entriegelt“ auf und die Abdeckung lässt sich jederzeit öffnen.

Hinweis: Die Abdeckung lässt sich nur öffnen, wenn das Schlosssymbol für „Entriegelt“ leuchtet. Während des Betriebs leuchtet das geschlossene Schloss für „Verriegelt“. Jetzt darf die Abdeckung nicht geöffnet werden. Wenn Sie die Abdeckung dennoch öffnen möchten, drücken Sie zunächst auf „Start/Stop“, um den Betrieb zu unterbrechen.

Sanft-anbraten-Modus

(Der Modus sanft anbraten ist aktiviert, wenn das Symbol „Mild Sear“ leuchtet.)

1. Öffnen Sie die Abdeckung.
2. Drücken Sie die Taste „Mild Sear“ und wechseln Sie so in den Sanft-anbraten-Modus.
3. Drücken Sie die Taste „Set“ und stellen Sie Zeit und Temperatur ein. Tippen Sie dazu auf die Tasten „+“ und „-“ oder halten Sie diese gedrückt, wenn die entsprechenden Ziffern im Display blinken.
4. Drücken Sie auf „Start/Stop“, um den Heizvorgang zu starten.

Hinweis: Wenn nach dem Drücken von „Start/Stop“ die Anzeige „Clos“ erscheint, bedeutet das, dass die Abdeckung geschlossen ist. Zum Starten des Vorgangs muss die Abdeckung dann geöffnet werden.

5. Der Gareinsatz muss unbedingt trocken sein, ehe Sie Speiseöl hineingeben.
6. Wenn die eingestellte Temperatur erreicht ist, piepst das Gerät und der Countdown beginnt. Jetzt können Sie die Speise in den Gareinsatz legen und mit dem Anbraten beginnen. Bei diesem Vorgang können Sie die Speise zum gegebenen Zeitpunkt wenden.

Hinweis: Wenn Sie mit dem Anbraten schon vor dem Erreichen der voreingestellten Temperatur beginnen möchten, drücken Sie die Taste „Start/Stop“. Das Gerät beginnt daraufhin mit dem Countdown und Sie können die Speise in den Gareinsatz legen.

7. Wenn der Countdown abgelaufen ist, piepst das Gerät drei Mal und der Vorgang ist abgeschlossen.

Hinweis: Wenn der Countdown noch nicht abgelaufen ist und Sie das Gerät stoppen wollen, drücken Sie zum gewünschten Zeitpunkt die Taste „Start/Stop“.

Verbinden mit der App

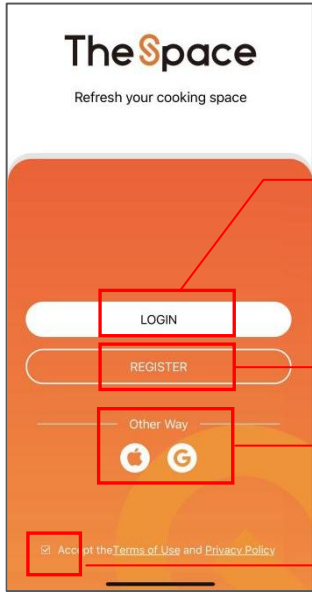
So stellen Sie die WLAN-Verbindung her

4. Laden Sie die App „The Space“ herunter.



- iOS: Gehen Sie zum App Store und suchen Sie nach „The Space Sous Vide“. Laden Sie die App mit dem oben abgebildeten Symbol herunter und installieren Sie sie auf Ihrem Mobilgerät.
- Android: Gehen Sie auf Google Play und suchen Sie nach „The Space“. Laden Sie die App mit dem oben abgebildeten Symbol herunter und installieren Sie sie auf Ihrem Mobilgerät.

2. Öffnen Sie die App, erstellen Sie Ihr Konto und melden Sie sich an.



The screenshot shows the app's login and registration interface. At the top, the text reads "The Space" and "Refresh your cooking space". Below this are three main buttons: "LOGIN", "REGISTER", and "Other Way". The "Other Way" button includes icons for Apple and Google. At the bottom left, there is a small checkbox labeled "I agree to the Terms of Use and Privacy Policy".

Wenn Sie bereits ein Konto haben, melden Sie sich direkt an.

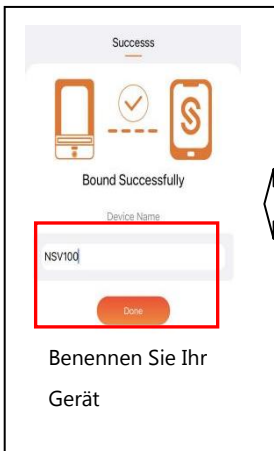
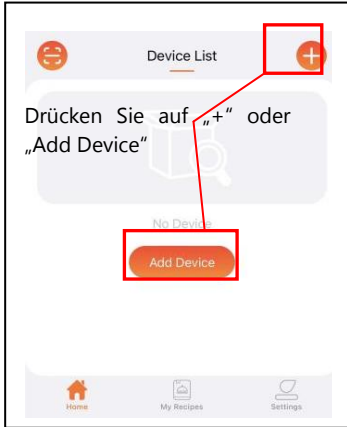
Neue Benutzer müssen zunächst ein Konto einrichten.

Sie können sich auch mit Ihrem Apple- oder Google-Konto einloggen.

Wählen Sie dieses Kästchen aus.

3. Fügen Sie Ihr Gerät hinzu.

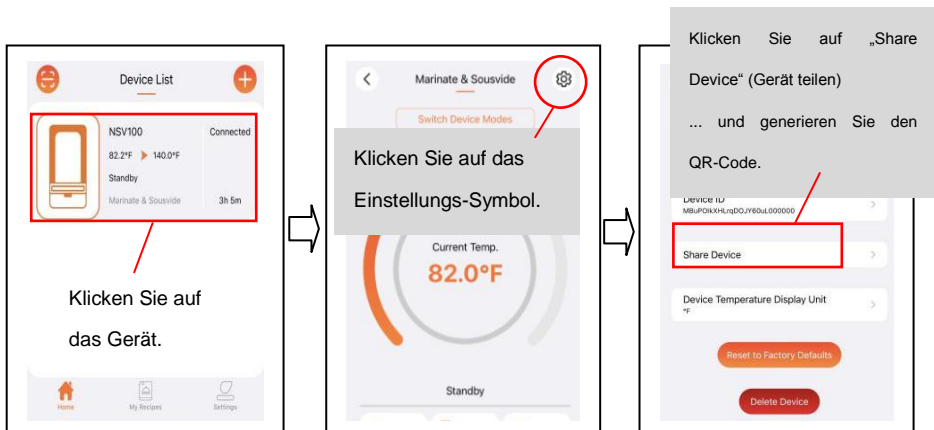
Drücken Sie auf „+“ oder „Add Device“ → Wählen Sie Ihr WLAN und geben Sie das Passwort ein → Halten Sie die Tasten „Manual“ und „Set“ gleichzeitig so lange gedrückt, bis die WLAN-Anzeige auf dem Display blinkt → Warten Sie, bis die WLAN-Verbindung aufgebaut wurde → Benennen Sie Ihr Gerät.



Hinweis: Das Produktsymbol auf der Benutzerschnittstelle der App kann vom hier abgebildeten abweichen, da es verschiedene Modelle gibt. Das wirkt sich jedoch nicht auf die Nutzung oder Funktionen aus.

*****Teilen Sie Ihr Gerät**

Sie können Ihr Gerät über die App The Space mit anderen teilen. Gehen Sie dazu zu den Einstellungen (Settings) Ihres Geräts, klicken Sie auf „Share Device“ und es wird ein QR-Code generiert. Scannen Sie diesen QR-Code dann mit der The-Space-App eines anderen Nutzers ein. Gehen Sie dazu zur Startseite der App, klicken Sie das Symbol in der oberen linken Ecke an und scannen Sie.



So verwenden Sie die App

1. Startseite/Home

Wählen Sie im ersten Schritt den Gerätemodus und stellen Sie Zeit und Temperatur ein. Sie können Ihre Einstellungen für den späteren Gebrauch als Rezept speichern.

The image shows two screenshots from the app. The left screenshot is the 'Device List' screen, showing a device named 'NSV100' with a 'Standby' mode and a 'Marinate & Sousvide' recipe. A red box highlights the device card, with an arrow pointing to the text 'Klicken Sie auf das Gerät.' Below this, the text 'Klicken Sie auf das Gerät.' is repeated. The right screenshot is the 'Marinate & Sousvide' settings screen. It shows a 'Current Temp.' of 82.0°F and a 'Standby' mode with a '15min' timer and a '140.0°F' temperature. A red box highlights the 'START' button, with an arrow pointing to the text 'Fangen Sie an.' Another red box highlights the 'SAVE TODAY'S RECIPE' button, with an arrow pointing to the text 'Speichern Sie Ihre Einstellungen als Rezept.' A third red box highlights the 'Switch Device Modes' button, with an arrow pointing to the text 'Wählen Sie den Gerätemodus.' A fourth red box highlights the 'Set Temp.' and 'Set Time' options, with an arrow pointing to the text 'Stellen Sie Zeit und Temperatur ein.'

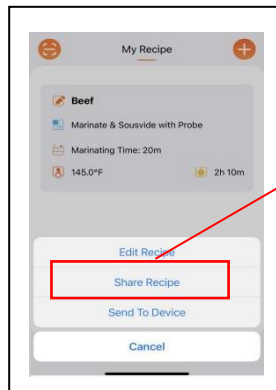
2. My Recipe:

Sie können Ihre Rezepte selbst gestalten und in der App speichern. Wenn Sie das Rezept erneut zubereiten möchten, schicken Sie es direkt an das Gerät.

The image shows two screenshots from the app. The left screenshot is the 'My Recipes' screen, which is currently empty. A red box highlights the '+' icon in the top right corner, with an arrow pointing to the text 'Drücken Sie auf „+“ oder „Add Recipe“ (Rezept hinzufügen).' Below this, the text 'Drücken Sie auf „+“ oder „Add Recipe“ (Rezept hinzufügen).' is repeated. The right screenshot is the 'Add Recipe' screen. It has a title 'Add Recipe' and four input fields: 'Enter recipe's name.', 'Device Modes' (set to 'Sousvide'), 'Cooking Temp.' (set to 140.0°F), and 'Cooking Time'. A red box highlights the 'SAVE' button at the bottom, with an arrow pointing to the text 'Benennen Sie Ihr Rezept, wählen Sie den Garmodus, stellen Sie Zeit und Temperatur ein und speichern Sie das Rezept.'

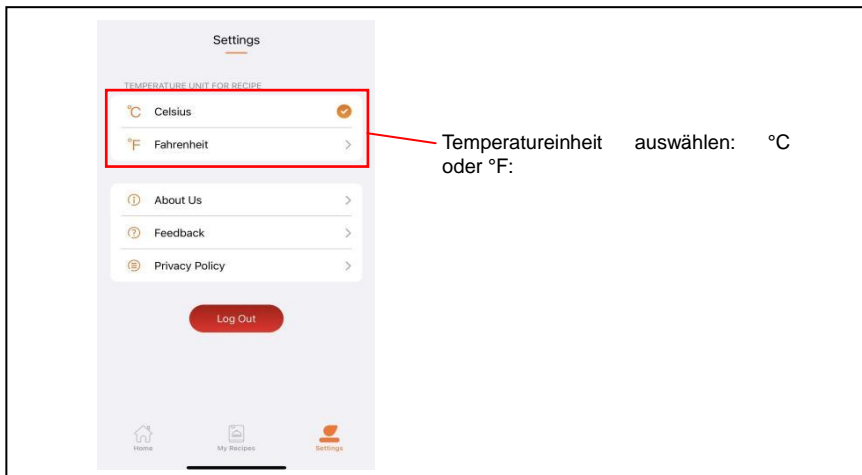
***Teilen Sie Ihr Rezept:

Sie können für Ihr Rezept einen QR-Code generieren. Andere App-Benutzer können den QR-Code einscannen und so mit ihrer App auf das Rezept zugreifen.



3. Hier finden Sie die Einstellungen:

Sie können als Temperatureinheit °C oder °F auswählen.



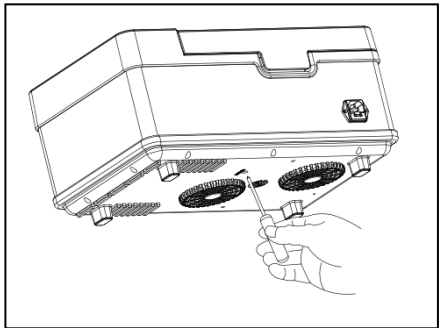
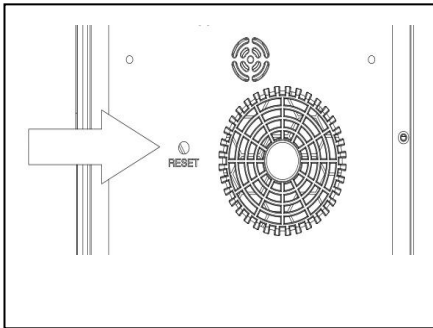
Pflege und Reinigung

- Trennen Sie das Gerät von der Stromversorgung, ehe Sie mit Reinigung oder Wartungsarbeiten beginnen.
- Reinigen Sie die Oberflächen des Geräts mit einem weichen Tuch und warmem Wasser.
- Nehmen Sie den Gareinsatz nach jeder Benutzung heraus und reinigen Sie ihn. Verwenden Sie keine scheuernden Bürsten oder Schwämme, da dies Schäden an den Oberflächen des Einsatzes verursachen kann. Platzieren Sie den Einsatz nach dem Reinigen wieder in die vorgesehene Position.
- Tauchen Sie die Sonde beim Reinigen des Geräts nicht unter Wasser, sie könnte Schaden nehmen.
- Prüfen Sie vor jeder Benutzung die Abdeckung und den Dichtungsring auf Schäden. Wenn Sie eine Beschädigung feststellen, dürfen Sie das Gerät nicht benutzen.
- Sie dürfen keine heißen, scharfen oder schweren Gegenstände auf der Abdeckung ablegen, da diese sonst beschädigt werden kann.
- Nehmen Sie die Abtropfschale regelmäßig ab, um das Wasser auszugießen und sie zu reinigen.
- Das Gerät darf nur von professionellen Technikern auseinandergebaut oder repariert werden.
- Das Gerät muss stets aufrecht auf seinen vier Standfüßen stehen, wenn es bewegt oder transportiert wird.
- Der Hersteller haftet nicht für Schäden oder Qualitätsbeeinträchtigungen, die durch Bedienungsfehler oder eine Nichtbefolgung der Anweisungen aus vorliegender Anleitung verursacht werden.

Fehlerbehebung

Startet nicht

- Vergewissern Sie sich, dass das Kabel des Geräts angeschlossen und das Gerät eingeschaltet ist.
- Prüfen Sie das Stromkabel auf Beschädigungen. Wenn Sie eine Beschädigung feststellen, dürfen Sie das Gerät nicht benutzen.
- Drücken Sie mit einem Schraubenzieher den Hebel zum zurücksetzen des Geräts in der mit RESET gekennzeichneten Öffnung an der Unterseite des Geräts.



- Wenn keine der vorgenannten Ursachen vorliegt, kontaktieren Sie bitte einen Wartungstechniker (mögliche Ursachen: beschädigte Bedienfeld, der Anschlussstecker hat sich gelöst usw.).

Vakuum kann nicht aufgebaut werden

- Prüfen Sie bitte, ob der Dichtungsring korrekt angebracht ist.
- Die Schläuche der Vakuumpumpe können lose sein. Dieses Problem muss ein Techniker beheben.
- Das Bedienfeld, die Schaltleiste oder der Kabelverbinder können sich gelöst haben. Dieses Problem muss ein Techniker beheben.

Heizt nicht

- Prüfen Sie, ob der Gareinsatz vorhanden und in Position ist.
- Das Bedienfeld, die Schaltleiste oder der Kabelverbinder können sich gelöst haben. Dieses Problem muss ein Techniker beheben.

Abdeckung lässt sich nicht öffnen

- Wenn das geschlossene Schloss für „Verriegelt“ leuchtet, darf die Abdeckung nicht geöffnet werden. Sobald das Symbol für „Entriegelt“ leuchtet, kann die Abdeckung geöffnet werden.
- Drücken Sie auf „Power“, sobald das Stromkabel des Geräts angeschlossen ist.
- Der Versorgungsdraht des Elektromagnetventils kann sich gelöst haben. Dieses Problem muss ein Techniker beheben.

Ich kann die angezeigte Temperatur und Zeit nicht verstellen.

- Der Versorgungsdraht des Bedienfeldes kann sich gelöst haben. Dieses Problem muss ein Techniker beheben.
- Bedienfeld oder Schalteiste können beschädigt sein. Dieses Problem muss ein Techniker beheben.

Verbindung zum WLAN kann nicht hergestellt werden.

- Prüfen Sie, ob das Netzwerk funktioniert.
- Starten Sie das Gerät neu und versuchen Sie es erneut.
- Das WLAN-Modul kann beschädigt sein. Dieses Problem muss ein Techniker beheben.

Fehlerdiagnosecodes

Wenn das Gerät die folgenden Codes anzeigt, folgen Sie bitte die entsprechenden Anweisungen zur Beseitigung des Problems.

Code	Bedeutung	Lösung
LP	Das Gerät hat beim letzten Garvorgang die Stromversorgung verloren.	Drücken Sie auf „Start/Stop“, um die Displayanzeige zu löschen.
HF	Das Gerät heizt nicht, da der Gareinsatz nicht oder nicht korrekt eingesetzt ist.	<ol style="list-style-type: none">1. Drücken Sie die Taste „START/STOP“ oder „Power“ um die Displayanzeige zu löschen.2. Prüfen Sie den korrekten Sitz des Gareinsatzes.3. Wenn der Gareinsatz an Ort und Stelle ist und der Code weiter angezeigt wird, sind mögliche Ursachen die Sonde, das Bedienfeld, die Schalteiste oder die

		Anschlussbuchse des Stromkabels. Wenden Sie sich in diesem Fall bitte an einen Wartungstechniker.
OH	Der IGBT-Transistor oder die Magnetspule ist überhitzt.	Stoppen Sie das Gerät und lassen Sie es mindestens 30 Minuten lang abkühlen.
PR_E	Die Sonde ist im Modus Neovide oder Marinade Neovide nicht korrekt in die Speise eingeführt.	<ol style="list-style-type: none"> 1. Drücken Sie die Taste „START/STOP“ oder „Power“ um die Displayanzeige zu löschen. 2. Prüfen Sie, ob die Sonde korrekt in der Speise sitzt. 3. Sitzt die Sonde korrekt und der Code verschwindet nicht, kann die Sonde beschädigt sein oder ihr Drahtanschluss sich gelöst haben. Wenden Sie sich in diesem Fall bitte an einen Wartungstechniker.
Clos	Das Gerät ist im Modus Mild Sear und die Abdeckung ist geschlossen.	Öffnen Sie die Abdeckung.
Open	Das Gerät ist im Modus Neovide, Manual oder Marinade Neovide und die Abdeckung ist offen.	Schließen Sie die Abdeckung.

Hinweis: Wenn die angegebenen Maßnahmen zur Fehlerbeseitigung das Problem nicht lösen, wenden Sie sich bitte an einen Wartungstechniker.

VORSCHRIFTEN UND ZULASSUNGEN

Das WEEE-Logo des Produkts und die Dokumentation weisen darauf hin, dass das Gerät nicht mit dem Hausmüll entsorgt werden darf. Um Schäden für die menschliche Gesundheit und die Umwelt zu vermeiden, muss das Produkt an einer zugelassenen Sammelstelle entsorgt werden. Nähere Informationen zur korrekten Entsorgung des Produkts erhalten Sie bei Ihrer zuständigen lokalen Behörde für Abfallmanagement.



Alle Bauteile von Space werden rigoros getestet, damit sie die gesetzlichen Auflagen, Vorschriften und Spezifikationen erfüllen, die von internationalen, unabhängigen und jeweils national zuständigen Behörden vorgegeben werden.

Die Space-Produkte wurden für die folgenden EU-Kennzeichnungen zertifiziert:

Niederspannungsrichtlinie 2014/35/EU

EN 60335-2-15:2016+A11:2018, anwendbar in Verbindung mit

EN 60335-1:2012 + AC:2014 + A11:2014 + A13:2017 +A1:2019 + A14:2019 + A2:2019

EN 62233:2008+AC:2008

Richtlinie 2004/108/EC über die elektromagnetische Verträglichkeit

EN 55014-1:2006+A1:2009+A2:2011,

EN 55014-2:1997+A1:2001+A2:2008,

EN 61000-3-2:2006+A1:2009+A2:2009,

EN 61000-3-3:2013

RoHS-Richtlinien 2011/65/EU

IEC 62321-3-1:2013 Ed. 1.0

IEC 62321-5:2013 Ed. 1.0

IEC 62321-4:2013 +AMD1:2017

IEC 62321-7-2:2017 Ed. 1.0

IEC 62321-7-1:2015 Ed. 1.0

IEC 62321-6:2015 Ed. 1.0

IEC 62321-8:2017 Ed. 1.0



INFORMATIONEN ZUR GARANTIE

Unsere Produkte haben eine auf zwei Jahre begrenzte Garantie. Anspruch auf Ersatz unter Garantieansprüchen besteht für zwei Jahre ab dem ursprünglichen Kaufdatum. Es gelten folgende Voraussetzungen, damit Ihr Garantieanspruch gültig ist:

- Sie haben das Produkt in den zwei zurückliegenden Jahren erworben.
- Sie haben die Original-Bestellnummer oder die beim Kauf versendeten E-Mail-Belege zur Hand.
Wenn Sie über einen Händler, Wiederverkäufer, Vertriebspartner oder eine andere Website gekauft haben, müssen Sie eine Kopie Ihres Kaufbelegs vorlegen.

** Senden Sie uns Ihren Antrag auf Garantieleistungen per E-Mail an folgende Adresse zu: service@thespacetec.com **



DIE SPACE-GARANTIEKARTE

** Senden Sie uns Ihren Antrag auf Garantieleistungen per E-Mail an folgende Adresse

zu: service@thespacetec.com **

Name des Kunden

Adresse

Stadt/Provinz, Bundesland, Region/PLZ

Telefonnummer

E-Mail-Adresse

Kaufdatum

Modellnummer des Produkts

Seriennummer. (Falls zutreffend)

Name des Händlers

Manuale dell'utente

Sommario

Importanti misure di sicurezza.....	115
Specifiche	116
Conoscere il proprio Neovide	117
Pannello comandi.....	118
Linee guida di cottura	121
Utilizzare il Neovide	122
Sonda per alimenti	122
Vassoio di raccolta	123
Prima dell'uso.....	123
Modalità “Neovide”	123
Modalità manuale.....	125
Modalità marinatura	127
Modalità marinatura Neovide.....	127
Modalità Rosolatura delicata	128
Connettersi all'app.....	130
Come collegarsi al Wi-Fi	130
Come utilizzare l'app.....	133
Manutenzione e pulizia.....	136
Soluzione dei problemi	137
CONFORMITÀ.....	140
INFORMAZIONI SULLA GARANZIA.....	141

Importanti misure di sicurezza

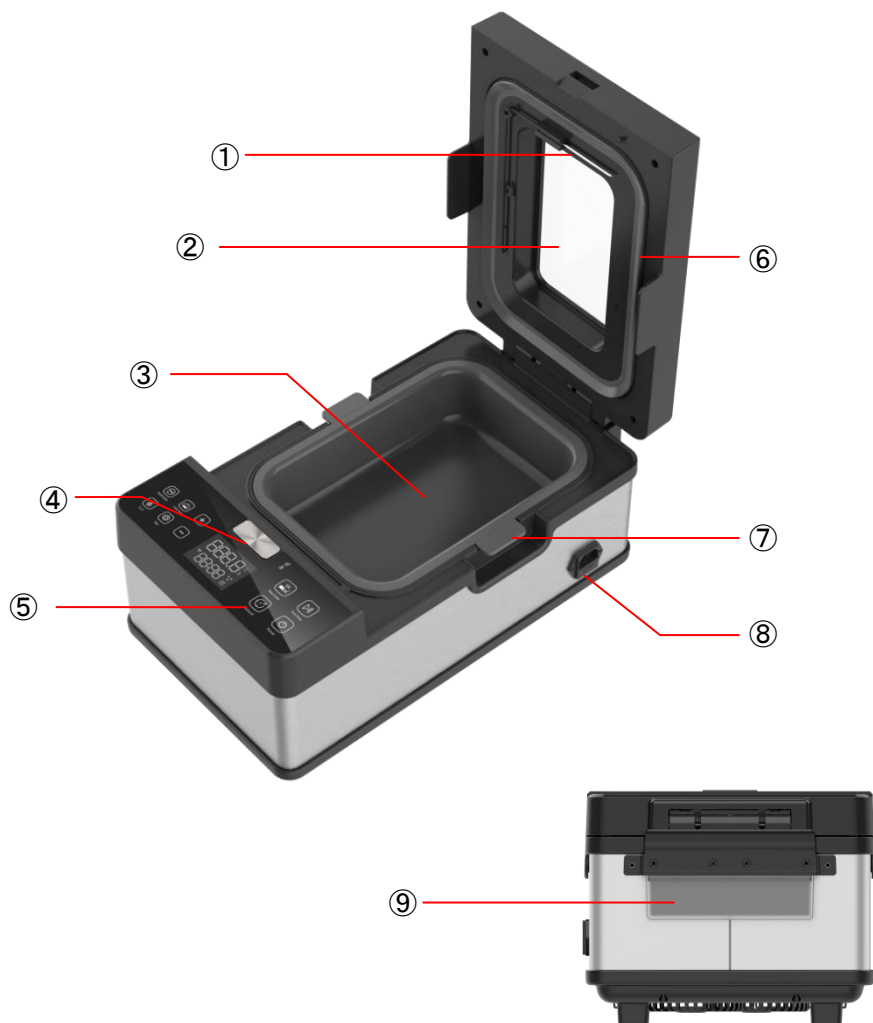
Quando si utilizza questo prodotto, si prega di seguire sempre le istruzioni:

- Leggere il manuale dell'utente prima di utilizzare il prodotto.
- Collegare esclusivamente alla tensione di alimentazione specificata sull'etichetta del prodotto.
- Utilizzare il prodotto su una superficie di lavoro asciutta, stabile e solida.
- Collegare il prodotto a una presa interna dotata di messa a terra e salvavita.
- Tenere il cavo e la spina asciutti per evitare scosse elettriche.
- Staccare la spina prima di spostare o pulire il prodotto o quando non viene utilizzato.
- Per scollegare, rimuovere il cavo afferrando la spina ed estraendola dalla presa elettrica. Non staccare mai la spina tirando il cavo.
- Non utilizzare il prodotto se il cavo o la spina sono danneggiati.
- Non utilizzare adattatori multi-presa e prolunghe.
- Non toccare le parti calde quali il coperchio, la vasca e la sonda quando il prodotto è in funzione o prima che si raffreddi.
- Non toccare l'estremità della sonda per alimenti al fine di evitare lesioni.
- Non immergere la sonda nell'acqua durante la pulizia del dispositivo per evitare di danneggiarla.
- Non inserire nessun altro oggetto, soprattutto se metallico, nella vasca in cui si trova il vassoio interno.
- Tenere il prodotto fuori dalla portata dei bambini e lontano da persone con minorazioni fisiche, sensoriali o disabilità mentali.
- Se il prodotto non funziona o è stato danneggiato, non utilizzarlo più. Rivolgersi a personale specializzato per il controllo o la manutenzione.
- Questo prodotto deve essere destinato esclusivamente ai fini prefissati.

Specifiche

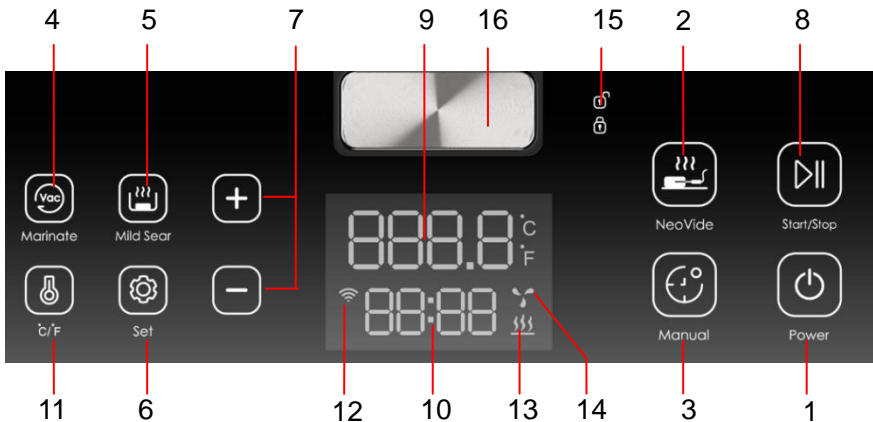
Modello	NSV100		
Alimentazione elettrica	US 110-120 V, 60 Hz	EU 220-240 V, 50 Hz	JP 100 V, 50/60 Hz
Alimentazione	700 W	650 W	620 W
Pressione della pompa a vuoto	-711 mbar \pm 10 %/-21" Hg \pm 10 %		
Velocità di flusso	6 L/min \pm 15%		
Capacità del vassoio	3 L		
Dimensioni del dispositivo	467 mm x 263 mm x 208 mm (18,4" x 10,4" x 8,2")		
Dimensioni del vassoio	260 mm x 180 mm x 65 mm (10,2" x 7,1" x 2,6")		
Intervallo di temperatura (Neovide/Modalità manuale)	20-95 °C (68-203 °F)		
Timer (Modalità manuale)	00:05-99:59		
Intervallo di temperatura (Modalità "Mild Sear" - Rosolatura delicata)	150-210 °C (302-410 °F)		
Timer (Modalità "Mild Sear" - Rosolatura delicata)	0:01-00:30		
Timer (Modalità "Marinate" - Marinatura)	0:05-00:50 (1-10 cicli, ogni 5 minuti è un ciclo)		
Peso	8,1 kg (17,9 lb)		
Condizioni di lavoro	Temperatura: 5-35 °C (41-95 °F), Umidità: \leq 85 %		
Connettività	Wi-Fi 802.11 b/g/n 2,4 GHz Bluetooth 5.0		
App	iOS / Android		

Conoscere il proprio Neovide



- ① Sonda per alimenti ② Coperchio ③ Vassoio interno ④ Pulsante del coperchio
⑤ Pannello comandi ⑥ Guarnizione ⑦ Maniglia del vassoio
⑧ Porta di alimentazione ⑨ Vassoio di raccolta

Pannello comandi



N.	Pulsante/Indicatore	Descrizione
1	Power	<ul style="list-style-type: none"> - Collegare la spina alla presa di corrente e il dispositivo entra in modalità di risparmio energetico, con solo il pulsante di accensione leggermente illuminato. - Premere il pulsante di accensione "Power" per passare allo stato di stand-by, in cui il pulsante "Neovide" si accende e gli altri pulsanti sono leggermente illuminati. - Nello stato di stand-by o durante il funzionamento, premere il pulsante di accensione "Power" per tornare alla modalità di risparmio energetico.
2	Neovide	<ul style="list-style-type: none"> - Premere il pulsante per selezionare la modalità "Neovide". L'icona si accende. - In questa modalità, inserire la sonda nel cuore dell'alimento. Sul display appare la temperatura interna dell'alimento.
3	Manual	<ul style="list-style-type: none"> - Premere il pulsante "Manual" per selezionare la modalità manuale. L'icona si accende. - In questa modalità, è possibile impostare manualmente l'ora e la

		temperatura e non è necessario utilizzare la sonda.
4	Marinate	Premere il pulsante "Marinate" per selezionare la modalità di marinatura. L'icona si accende.
5	Mild Sear	Premere il pulsante "Mild Sear" per selezionare la modalità di rosolatura delicata. L'icona si accende.
6	Set	<p>Impostazioni: Dopo aver selezionato la modalità di funzionamento desiderata, è possibile impostare la temperatura o l'ora premendo il pulsante per l'impostazione "Set". Quando il numero sul display lampeggia, premere o tenere premuti i tasti "+" o "-" per regolare la temperatura e l'ora.</p> <p>Visualizzazione delle impostazioni: Durante il funzionamento, tenendo premuto il pulsante per l'impostazione "Set" per circa 3 secondi, è possibile visualizzare le impostazioni dell'ora e della temperatura.</p> <p>Se non si effettua alcuna operazione in modalità di impostazione "Setting", il numero sul display lampeggia 10 volte prima che il dispositivo esca automaticamente dal menu di impostazioni.</p>
7	+/-	Quando il numero sul display lampeggia, premere o tenere premuti i tasti "+" o "-" per regolare la temperatura e l'ora.
8	Start/Stop	Premere il pulsante di avvio/arresto "Start/Stop" per avviare il dispositivo nella modalità selezionata.
9	Display della temperatura	Visualizza la temperatura effettiva o la temperatura impostata.
10	Display dell'ora	Visualizza l'ora di funzionamento o l'ora impostata.
11	°C/°F	In modalità stand-by, premere il pulsante "°C/°F" per cambiare l'unità di misura della temperatura.
12	Indicatore di Wi-Fi	L'indicatore di Wi-Fi si illumina quando il dispositivo è collegato all'app mobile.
13	Indicatore di riscaldamento	Questo indicatore, se acceso, indica che il dispositivo si sta riscaldando.
14	Indicatore della	Questo indicatore, se acceso, indica che il dispositivo sta aspirando.

	pompa a vuoto	
--	---------------	--

15	Lock/Unlock (Blocco/Sblocco)	<p>Quando l'indicatore "Unlock" (Sblocco) si accende, è possibile aprire il coperchio.</p> <p>Quando l'indicatore "Lock" (Blocco) è acceso, significa che il dispositivo è in funzione e non è possibile aprire il coperchio. Se si desidera aprire il coperchio, è necessario arrestare il funzionamento del dispositivo e aprirlo quando si illumina l'icona di sblocco "Unlock".</p>
16	Pulsante del coperchio	Premere il pulsante del coperchio per aprirlo.
17	Ripristino delle impostazioni di fabbrica	In stato di stand-by, tenere premuto i pulsanti "Mild Sear" (Rosolatura delicata) e "Manual" (Manuale) simultaneamente per 3 secondi. Quando si sente un "bip", il dispositivo passa alla modalità "Neovide" (la temperatura del display è di 60°C e il timer indica 24:00), quindi è possibile rilasciare i pulsanti. Il dispositivo ritorna così alle impostazioni di fabbrica.

Linee guida di cottura

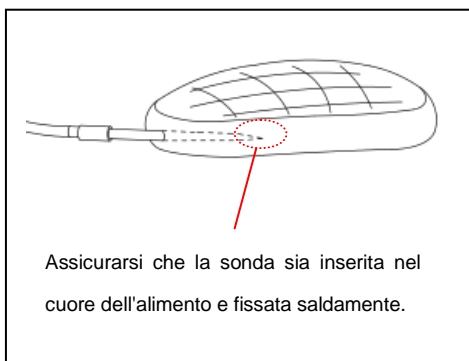
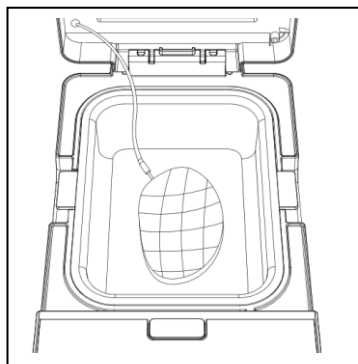
17. Per gli alimenti di forma regolare (cioè affettati o tagliati quali bistecche, cotolette di maiale, petto di pollo, salmone, ecc.), si consiglia di utilizzare la modalità “Neovide” (utilizzando la sonda). Posizionare l'alimento sul fondo e inserire saldamente la sonda nel cuore dell'alimento.
18. Per gli alimenti in cui non è facile inserire la sonda, è consigliabile ricorrere alla modalità manuale “Manual”. In questa modalità, è possibile impostare il tempo e la temperatura proprio come nel sous vide tradizionale, anche se l'uso di acqua e sacchetti è facoltativo, per una maggiore flessibilità nella cottura.
19. Per la cottura delle verdure, si prega di impostare il tempo e la temperatura appropriati. Come nel caso della cottura sous vide tradizionale, alcune verdure possono emanare gas e deteriorarsi se cotte sottovuoto per troppo tempo.

Utilizzare il Neovide

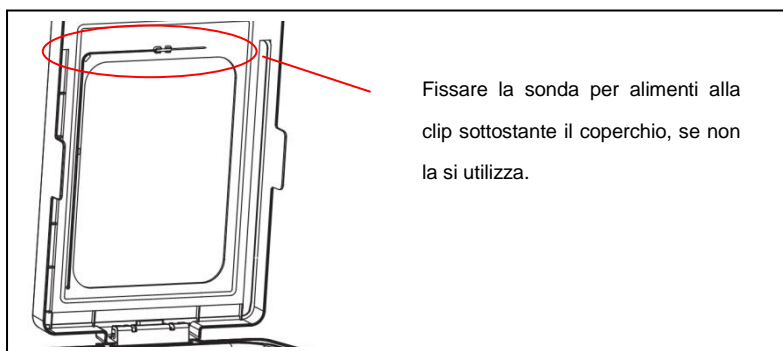
Sonda per alimenti

- In modalità "Neovide", la sonda deve essere inserita nel cuore dell'alimento.

Attenzione: All'estremità della sonda per alimenti (10 mm) si trova il sensore di temperatura. Quando si utilizza la sonda, assicurarsi che questa parte sia inserita nel cuore dell'alimento. Si consiglia di inserire la sonda lateralmente fino al cuore dell'alimento per garantire un inserimento sicuro. Quando non è facile farlo, è possibile inserire la sonda anche dalla superficie dell'alimento, assicurandosi però che penetri fino al cuore e sia fissata saldamente. In caso contrario, la temperatura rilevata potrebbe essere imprecisa.

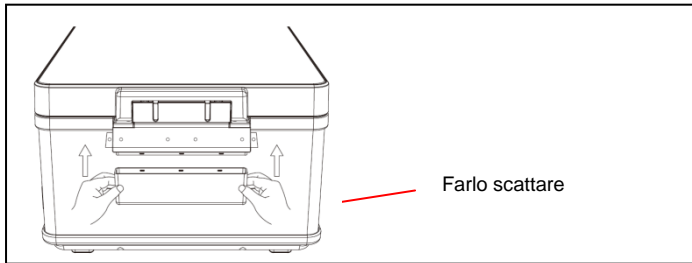


- Fissare la sonda per alimenti alla clip sottostante il coperchio, se non la si utilizza.



Vassoio di raccolta

Il vassoio di raccolta è posizionato sulla parte posteriore del dispositivo per raccogliere il liquido di cottura.



Prima dell'uso

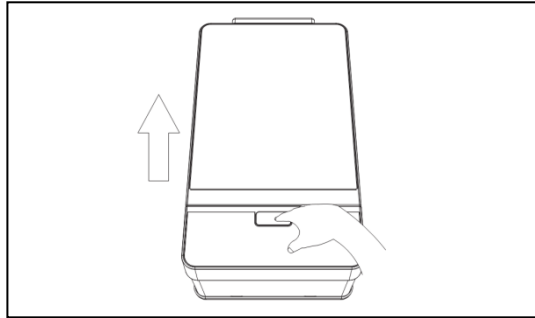
- Collegare la spina alla presa di corrente e il dispositivo entra in modalità di risparmio energetico, con solo il pulsante di accensione leggermente illuminato.
- Premere il pulsante di accensione "Power" per passare allo stato di stand-by in cui il pulsante "Neovide" si accende e gli altri pulsanti sono leggermente illuminati.
- Premere il pulsante "°C/°F" per cambiare l'unità di misura della temperatura. Il dispositivo memorizzerà la selezione impostata e la utilizzerà come predefinita al successivo utilizzo.

Modalità "Neovide"

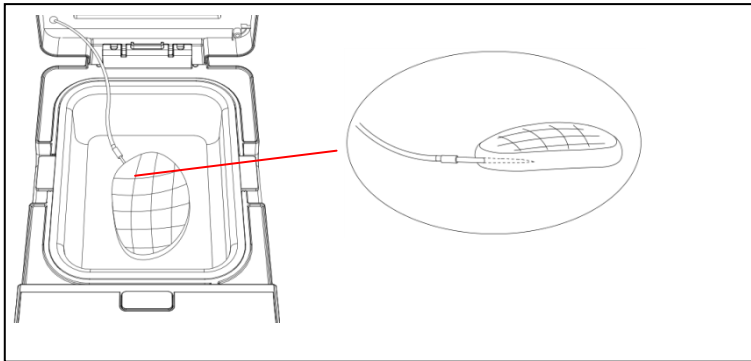
In modalità "Neovide", la sonda monitora e controlla accuratamente la temperatura del cuore dell'alimento, per ottenere una cottura sous vide estremamente precisa. Per utilizzare questa modalità, è sufficiente impostare la temperatura desiderata, senza dover tenere conto dell'impostazione del tempo. È possibile provare diverse impostazioni di temperatura per creare piatti unici che si adattino alle proprie preferenze di palato.

(La modalità "Neovide" è attiva quando la relativa icona è accesa).

1. Premere il pulsante "Neovide" per attivare detta modalità. Questa modalità prevede l'utilizzo della sonda e la visualizzazione della temperatura dell'alimento.
2. Premere il pulsante di impostazione "Set" e regolare la temperatura con i tasti "+" e "-".
3. Premere il pulsante del coperchio per aprirlo.



4. Posizionare l'alimento sul vassoio, togliere la sonda dal coperchio e inserirla nell'alimento. Assicurarsi che la sonda sia inserita nel cuore dell'alimento e fissata saldamente.



5. Chiudere il coperchio e premere il pulsante di avvio/arresto "Start/Stop" e il dispositivo inizierà ad aspirare e a riscaldare.
6. Una volta raggiunta la temperatura impostata, il dispositivo emette un segnale acustico ed entra automaticamente in modalità "Keep-warm" (Tenere in caldo). In questa modalità, sul display superiore compare la scritta "Hold", mentre su quello inferiore appare il tempo di attesa. È possibile premere il pulsante di avvio/arresto "Start/Stop" per mettere fine al processo.

Attenzione: Durante i primi cinque minuti di questa modalità, il dispositivo emette tre segnali acustici a intervalli di un minuto.

7. Completato il programma impostato, si accende l'indicatore di sblocco "Unlock" ed è possibile aprire il coperchio in qualsiasi momento.

Attenzione: Il coperchio può essere aperto solo quando l'icona di sblocco "Unlock" è

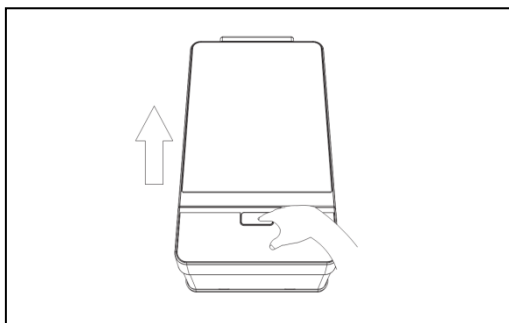
accesa. Durante il funzionamento, l'icona di blocco "Lock" è accesa e non è possibile aprire il coperchio. Se si desidera aprire il coperchio, premere il pulsante di avvio/arresto "Start/Stop" per interrompere il processo.

Modalità manuale

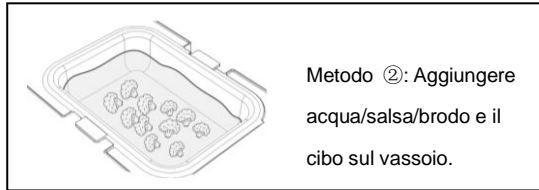
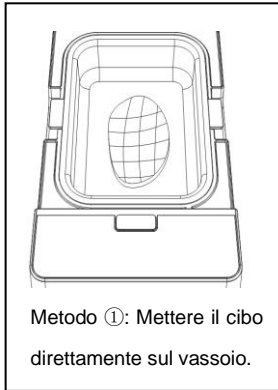
Per gli alimenti incompatibili con l'inserimento della sonda, come zuppe, uova, verdure di forma irregolare, è possibile utilizzare la modalità manuale "Manual". In questa modalità, è possibile impostare il tempo e la temperatura proprio come nel sous vide tradizionale, anche se l'uso di acqua e sacchetti è facoltativo, per una maggiore flessibilità nella cottura.

(La modalità manuale è attiva quando l'icona "Manual" è accesa).

1. Premere il pulsante " Manual".
2. Premere il pulsante "Set" per passare alle impostazioni e regolare la temperatura e l'ora con i tasti "+" e "-" quando il numero corrispondente lampeggia.
3. Premere il pulsante del coperchio per aprirlo.



20. Scegliere il metodo di cottura adatto all'alimento.



Attenzione: Quando si utilizzano i metodi suindicati, si prega di sistemare la sonda per alimenti nell'apposita clip e di non immergerla nell'acqua per evitare di danneggiarla.

5. Chiudere il coperchio e premere il pulsante di avvio/arresto "Start/Stop" per iniziare la procedura.
6. Quando si raggiunge la temperatura impostata, il dispositivo emette un "bip" e inizia il conto alla rovescia.

Attenzione: Se si desidera avviare il conto alla rovescia prima del raggiungimento della temperatura impostata, premere nuovamente il pulsante di avvio/arresto "Start/Stop" e il dispositivo inizierà il conto alla rovescia.

7. Quando termina il conto alla rovescia, il dispositivo emette un segnale acustico ed entra automaticamente in modalità "Keep-warm" (Tenere in caldo).

Attenzione: Durante i primi cinque minuti della modalità "Keep-warm" (Tenere in caldo), il dispositivo emette tre segnali acustici a intervalli di un minuto.

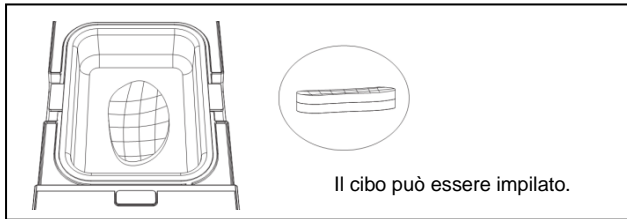
8. Completato il processo, si accende l'indicatore di sblocco "Unlock" ed è possibile aprire il coperchio in qualsiasi momento.

Attenzione: Il coperchio può essere aperto solo quando l'indicatore di sblocco "Unlock" è acceso. Durante il funzionamento, l'indicatore di blocco "Lock" è acceso e non è possibile aprire il coperchio. Se si desidera aprire il coperchio, premere il pulsante di avvio/arresto "Start/Stop" per interrompere il processo.

Modalità marinatura

(La modalità marinatura è attiva quando l'icona "Marinate" è accesa)

1. Premere il pulsante di marinatura "Marinate" e il dispositivo entra in detta modalità.
2. Premere il pulsante di impostazione "Set" per regolare il tempo con i tasti "+" e "-".
3. Premere il pulsante del coperchio per aprirlo e posizionare il cibo sul vassoio. Il cibo può essere impilato.



4. Chiudere il coperchio e premere il pulsante di avvio/arresto "Start/Stop" e il dispositivo inizierà la marinatura.
5. Quando il tempo di marinatura arriva a 0, il dispositivo emette tre segnali acustici.
6. Al termine del processo, si accende l'icona di sblocco "Unlock" e si può premere il pulsante del coperchio per aprirlo ed estrarre il cibo.

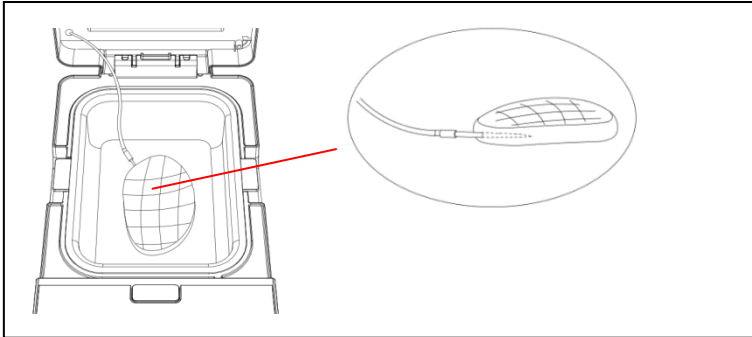
Attenzione: Il coperchio può essere aperto solo quando l'icona di sblocco "Unlock" è accesa. Durante il funzionamento, l'icona di blocco "Lock" è accesa e non è possibile aprire il coperchio. Se si desidera aprire il coperchio, premere il pulsante di avvio/arresto "Start/Stop" per interrompere il processo.

Modalità marinatura Neovide

(La modalità marinatura Neovide è attiva quando le icone "Marinate" e "Neovide" sono accese).

1. Premere i pulsanti "Marinate" e "Neovide" e il dispositivo entrerà in modalità Marinatura Neovide. In questa modalità, il dispositivo avvia dapprima la marinatura, poi il sous vide utilizzando la sonda.
2. Premere il pulsante di impostazione "Set" per passare alle impostazioni e regolare il tempo di marinatura e la temperatura per la cottura sous vide con i tasti "+" e "-" quando il numero corrispondente lampeggia.

3. Premere il pulsante del coperchio per aprirlo e posizionare il cibo sul vassoio.
4. Togliere la sonda dal coperchio e inserirla nell'alimento. Assicurarsi che la sonda sia inserita nel cuore dell'alimento e fissata saldamente.



5. Chiudere il coperchio, premere il pulsante di avvio/arresto "Start/Stop" e il dispositivo avvierà dapprima la modalità di marinatura e poi quella Neovide.
6. Una volta raggiunta la temperatura impostata, il dispositivo emette un segnale acustico ed entra automaticamente in modalità "Keep-warm" (Tenere in caldo). In questa modalità, sul display superiore compare la scritta "Hold", mentre su quello inferiore appare il tempo di attesa. Premere il pulsante di avvio/arresto "Start/Stop" per concludere il processo.

Attenzione: Durante i primi cinque minuti della modalità "Keep-warm" (Tenere in caldo), il dispositivo emette tre segnali acustici a intervalli di un minuto.

7. Completato il processo, si accende l'icona di sblocco "Unlock" quindi è possibile aprire il coperchio in qualsiasi momento.

Attenzione: Il coperchio può essere aperto solo quando l'icona di sblocco "Unlock" è accesa. Durante il funzionamento, l'icona di blocco "Lock" è accesa e non è possibile aprire il coperchio. Se si desidera aprire il coperchio, premere il pulsante di avvio/arresto "Start/Stop" per interrompere il processo.

Modalità Rosolatura delicata

(La modalità rosolatura delicata "Mild Sear" è attiva quando la relativa icona è accesa).

1. Aprire il coperchio.

2. Premere il pulsante rosolatura delicata "Mild Sear" per attivare detta modalità di cottura.
3. Premere il pulsante di impostazione "Set" e regolare l'ora e la temperatura premendo e tenendo premuti i tasti "+" e "-" quando il numero corrispondente lampeggia.
4. Premere il pulsante di avvio/arresto "Start/Stop" per avviare il riscaldamento.

Attenzione: Se dopo aver premuto il pulsante di avvio/arresto "Start/Stop" sul display appare la dicitura "Clos", significa che il coperchio è chiuso e che è necessario aprirlo per iniziare.

5. Assicurarsi che il vassoio sia asciutto prima di aggiungere l'olio di cottura.
6. Una volta raggiunta la temperatura impostata, il dispositivo emette un segnale acustico e inizia il conto alla rovescia. A questo punto, si può mettere il cibo sul vassoio e iniziare la rosolatura. Durante il procedimento, è possibile girare il cibo al momento opportuno.

Attenzione: Se si desidera iniziare a rosolare prima del raggiungimento della temperatura impostata, premere il pulsante di avvio/arresto "Start/Stop" e il dispositivo inizierà il conto alla rovescia, dopodiché sarà possibile inserire gli alimenti.

7. Al termine del conto alla rovescia, il dispositivo emette tre "bip" ad indicare il completamento della procedura.

Attenzione: Se il conto alla rovescia non è ancora terminato, premere il pulsante di avvio/arresto "Start/Stop" e il dispositivo smette di funzionare.

Connettersi all'app


Come collegarsi al Wi-Fi

5. Scaricare l'app "The Space":



- iOS: Andare sull'App Store e cercare "The Space Sous Vide". Scaricare e installare l'applicazione utilizzando l'icona di cui sopra.
- Android: Andare su Google Play e cercare "The Space". Scaricare e installare l'applicazione utilizzando l'icona di cui sopra.

2. Aprire l'applicazione, creare il proprio account e accedere.



The screenshot shows the app's login screen. At the top, the logo "The Space" is displayed with the tagline "Refresh your cooking space". Below the logo are three main options: a "LOGIN" button, a "REGISTER" button, and an "Other Way" section containing icons for Apple and Google. At the bottom left, there is a small checkbox labeled "I Acc. of the Terms of Use and Privacy Policy". Red lines connect these elements to explanatory text on the right.

Se si dispone già di un account, accedere direttamente.

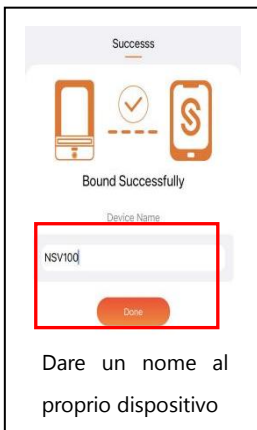
Se si è nuovi utenti, si prega di creare un account.

È possibile accedere anche con il proprio account Apple o Google.

Selezionare la casella.

3. Aggiungere il proprio dispositivo

Premere il "+" o il pulsante per aggiungere un dispositivo "Add Device" → Selezionare la propria Wi-Fi e inserire la password → Tenere premuti contemporaneamente i pulsanti "Manual" e "Set" finché l'indicatore della Wi-Fi sul display non lampeggia → Attendere la connessione → Assegnare un nome al proprio dispositivo.

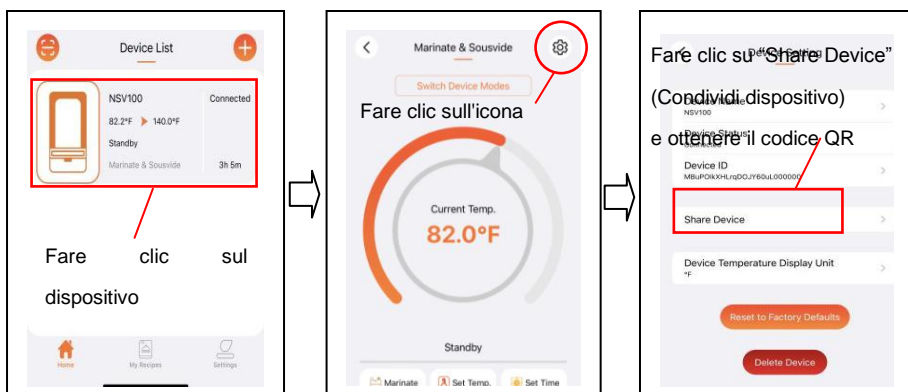


Attenzione: L'immagine del prodotto sull'interfaccia utente dell'app può variare dal momento che esistono diversi modelli del prodotto. Tuttavia, ciò non influisce sul

funzionamento e sul sistema di controllo.

**Condividere il proprio dispositivo:

È possibile condividere il proprio dispositivo con altri sull'app The Space. Andare alla pagina delle impostazioni del dispositivo, fare clic su "Share Device" (Condividi dispositivo) e verrà creato un codice QR. Scansionare il codice QR con l'app The Space di un altro utente: Andare alla pagina iniziale dell'app, fare clic sull'icona in alto a sinistra e scansionarla.



Come utilizzare l'app

1. Home:

Scegliere la modalità del dispositivo e impostare l'ora e la temperatura per iniziare. Le impostazioni possono essere salvate come una ricetta da utilizzare in futuro.



Fare clic sul dispositivo

Selezionare la modalità del dispositivo.

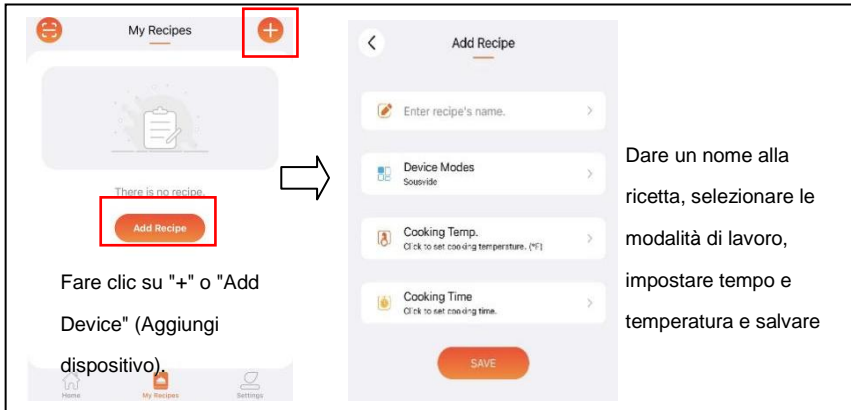
Impostazione di tempo e temperatura.

Per iniziare

Salvare le impostazioni in ricette.

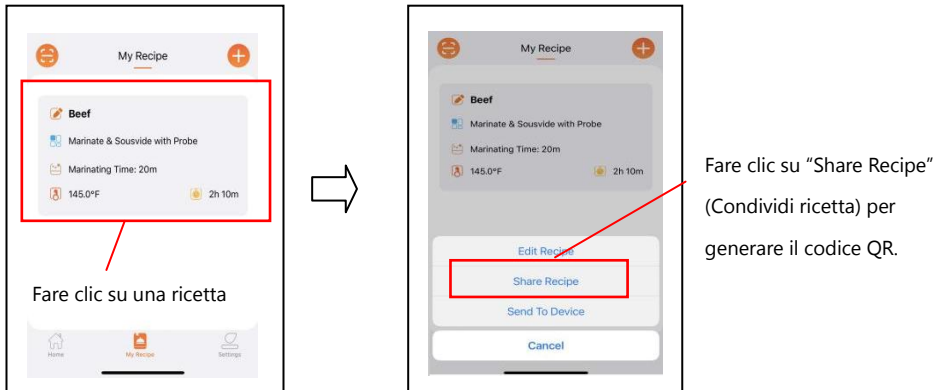
2. La mia ricetta:

È possibile personalizzare le ricette e salvarle nell'app. Se si desidera riutilizzare la ricetta, è possibile inviarla direttamente al dispositivo.



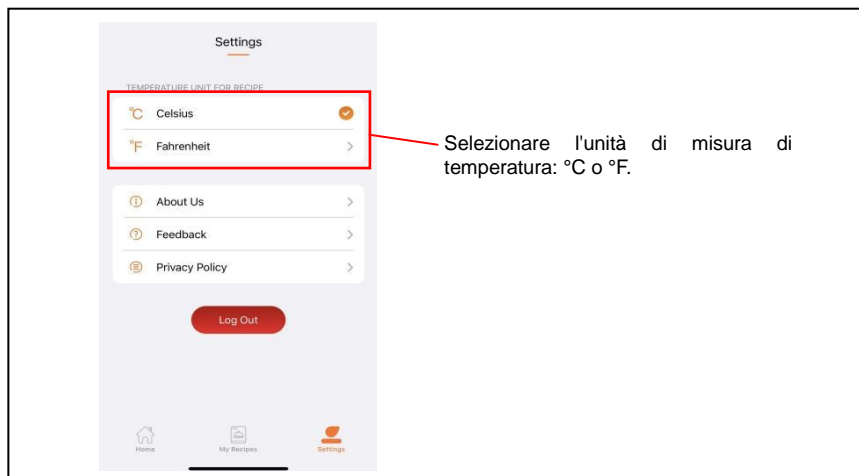
**Condividere la propria ricetta:

È possibile creare un codice QR per la propria ricetta. Altri utenti possono scansionare il codice QR per ottenere la ricetta con le loro app.



3. Impostazioni:

È possibile selezionare °C o °F come unità di misura di temperatura.



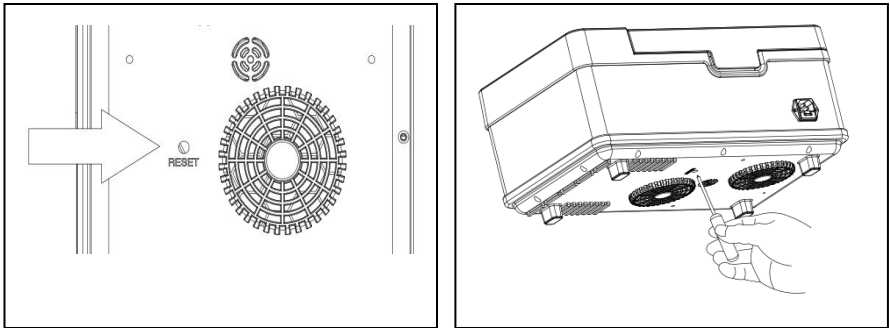
Manutenzione e pulizia

- Staccare dalla corrente prima di procedere alla pulizia o alla manutenzione.
- Pulire la superficie del dispositivo con un panno morbido e dell'acqua calda.
- Rimuovere e pulire il vassoio dopo ogni utilizzo. Non utilizzare spazzole abrasive perché possono danneggiare le finiture del vassoio. Dopo la pulizia, riporre il vassoio nella sua posizione originaria.
- Quando si pulisce il dispositivo, non immergere la sonda nell'acqua per evitare di danneggiarla.
- Prima di ogni utilizzo, accertarsi che il coperchio o l'anello di tenuta non siano rotti o danneggiati. In tal caso, non utilizzare il dispositivo.
- Non collocare oggetti caldi/appuntiti/pesanti sul coperchio, per evitare di danneggiarlo.
- Rimuovere periodicamente il vassoio di raccolta, svuotarlo e pulirlo.
- Lo smontaggio e la riparazione del dispositivo devono essere eseguiti esclusivamente da personale specializzato.
- Durante lo spostamento o il trasporto, il dispositivo deve essere tenuto in posizione verticale, poggiato sui piedini di supporto.
- Il fabbricante non potrà essere considerato responsabile di eventuali danni o problemi qualitativi causati da errori dell'utente o dalla mancata osservanza delle istruzioni contenute nel presente manuale.

Soluzione dei problemi

Impossibile avviare il dispositivo

- Accertarsi che il dispositivo è collegato alla presa di corrente e che è acceso.
- Controllare se il cavo di alimentazione è danneggiato. In tal caso, non utilizzare il dispositivo.
- Servirsi di un cacciavite per premere la leva di ripristino all'interno del foro di RESET situato nella parte inferiore del dispositivo, quindi riaccenderlo.



- In caso contrario, si prega di consultare un tecnico qualificato per la manutenzione (potrebbe trattarsi di un problema al pannello comandi, il connettore dei cavi allentato, ecc.)

Impossibile aspirare

- Si prega di verificare che l'anello di tenuta sia montato correttamente.
- La pompa per vuoto si potrebbe essere allentata, pertanto è necessario rivolgersi a un tecnico specializzato per la manutenzione.
- Il pannello comandi, il pannello elettrico o il connettore dei cavi si potrebbe essere allentato, il che richiede un intervento manutentivo da parte di un tecnico specializzato.

Non riscalda

- Controllare che il vassoio sia al suo posto.
- Il pannello comandi, il pannello elettrico o il connettore dei cavi si potrebbe essere allentato, il che richiede un intervento manutentivo da parte di un tecnico specializzato.

Impossibile aprire il coperchio

- Quando l'icona di blocco "Lock" è accesa, non è possibile aprire il coperchio. Solo dopo l'accensione dell'icona di sblocco "Unlock" è possibile aprire il coperchio.
- Premere il pulsante di accensione "Power" quando il dispositivo è collegato alla presa di corrente.
- Il connettore dei cavi dell'elettrovalvola si potrebbe essere allentato, il che richiede un intervento manutentivo da parte di un tecnico specializzato.

Impossibile regolare la temperatura e l'ora visualizzate

- Il connettore elettrico del pannello si potrebbero essere allentato, il che richiede un intervento manutentivo da parte di un tecnico specializzato.
- Il pannello comandi o pannello elettrico si potrebbe essere danneggiato, il che richiede un intervento manutentivo da parte di un tecnico specializzato.

Impossibile collegarsi al Wi-Fi

- Verificare se la rete funziona.
- Riavviare il dispositivo e riprovare.
- Il modulo Wi-Fi potrebbe essersi danneggiato, il che richiede un intervento manutentivo da parte di un tecnico specializzato.

Codici diagnostici di guasto

Se il dispositivo segnala i seguenti codici, si prega di attenersi alle seguenti istruzioni per risolvere il problema:

Codice	Indicazione	Soluzione
LP	Il dispositivo ha perso potenza nel corso dell'ultimo processo di cottura.	Premere il tasto "START/STOP" per cancellare la visualizzazione.
HF	Il dispositivo non riscalda perché il vassoio non è al suo posto.	<ol style="list-style-type: none">1. Premere il pulsante di avvio/arresto "START/STOP" o di accensione "Power" per cancellare la visualizzazione del codice.2. Controllare che il vassoio sia al suo posto.3. Se il vassoio è al suo posto e il codice è ancora visibile, potrebbe trattarsi di un

		problema causato dalla sonda, dal pannello di controllo, dal pannello di alimentazione o dal connettore dei cavi. In questo caso, si prega di rivolgersi a un tecnico specializzato per la manutenzione.
OH	L'IGBT o la bobina magnetica si sono surriscaldati.	Arrestare il dispositivo e farlo raffreddare per almeno 30 minuti.
PR_E	La sonda non è stata inserita correttamente nell'alimento in modalità Neovide o Marinate Neovide.	<ol style="list-style-type: none"> 1. Premere il pulsante di avvio/arresto "START/STOP" o di accensione "Power" per cancellare la visualizzazione del codice. 2. Verificare se la sonda è stata inserita correttamente nell'alimento. 3. Se la sonda è al suo posto e il codice è ancora visibile, è possibile che la sonda si sia danneggiata o che il connettore dei cavi si sia allentato. In questo caso, si prega di rivolgersi a un tecnico specializzato per la manutenzione.
Clos	Il coperchio è chiuso in modalità rosolatura delicata "Mild Sear".	Aprire il coperchio.
Open	Il coperchio è aperto in modalità Neovide manuale o modalità Marinate Neovide.	Chiudere il coperchio.

Attenzione: Se la soluzione sopraindicata non dovesse risolvere il problema, si prega di contattare un tecnico specializzato.

CONFORMITÀ

Il logo WEEE presente su questo prodotto o sulla relativa documentazione indica che questo non deve essere smaltito come rifiuto domestico. Per evitare possibili danni alla salute umana o all'ambiente, il prodotto deve essere smaltito presso un ecocentro autorizzato. Per ulteriori informazioni sul corretto smaltimento di questo prodotto, contattare le autorità locali responsabili della gestione dei rifiuti nella propria zona.



I componenti Space sono stati sottoposti a rigorosi test di conformità agli standard normativi e alle specifiche stabilite dalle autorità internazionali, indipendenti e federali.

I prodotti Space sono contrassegnati con i seguenti marchi UE:

Direttiva sulla bassa tensione 2014/35/UE

EN 60335-2-15:2016+A11:2018 utilizzato insieme a

EN 60335-1:2012 + AC:2014 + A11:2014 + A13:2017 +A1:2019 + A14:2019 + A2:2019

EN 62233:2008+AC:2008

Direttiva sulla compatibilità elettromagnetica 2004/108/CE

EN 55014-1:2006+A1:2009+A2:2011,

EN 55014-2:1997+A1:2001+A2:2008,

EN 61000-3-2:2006+A1:2009+A2:2009,

EN 61000-3-3:2013



Direttiva RoHS 2011/65/UE

IEC 62321-3-1:2013 Ed. 1.0

IEC 62321-5:2013 Ed. 1.0

IEC 62321-4:2013 +AMD1:2017

IEC 62321-7-2:2017 Ed. 1.0

IEC 62321-7-1:2015 Ed. 1.0

IEC 62321-6:2015 Ed. 1.0

IEC 62321-8:2017 Ed. 1.0



INFORMAZIONI SULLA GARANZIA

I nostri prodotti hanno una garanzia limitata di 2 anni. Le sostituzioni in garanzia sono consentite entro 2 anni dalla data originale di acquisto. Per poter usufruire di una sostituzione in garanzia, è necessario:

- Aver acquistato il prodotto negli ultimi 2 anni.
- Avere il numero d'ordine originale o l'e-mail utilizzata per l'acquisto. Se il prodotto è stato acquistato tramite un rivenditore, un rivenditore partner o un altro sito web, è necessario presentare una copia della ricevuta originale.

** Inviare una e-mail per richiedere l'assistenza in garanzia a: service@thespacetec.com **



CERTIFICATO DI GARANZIA THE SPACE

Inviare una e-mail per richiedere l'assistenza in garanzia a: service@thespacetec.com

Nome del cliente _____

Indirizzo _____

Città/Regione/CAP _____

Numero di telefono _____

Indirizzo e-mail _____

Data originale d'acquisto _____

Modello prodotto n. _____

Numero di serie (se applicabile) _____

Nome del commerciante _____